

# ELF6375DXD

## Drainable Stationary Louver

Miami Dade Approved, TDI Listed, Florida Product Approval, AMCA Certified  
NOA: 24-0605.04



### APPLICATION

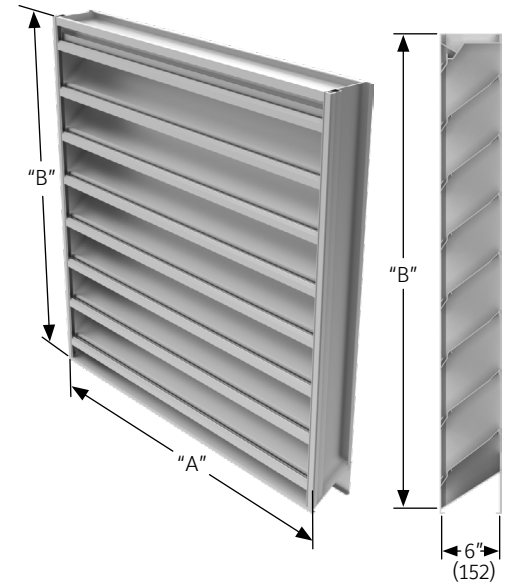
The ELF6375DXD Stationary Louver is Miami-Dade County Approved. It has a 6" deep frame and a 37 1/2 degree blade angle - High performance frame system with drainable head collects and removes water to provide excellent water penetration performance.

### STANDARD CONSTRUCTION

<b>Frame</b>	Box frame, 6" (152) deep, 6063T6 extruded aluminum with .081" (2.1) to .125" (3.18) nominal wall thickness.
<b>Blades</b>	6063T6 extruded aluminum, .081" (2.1) nominal wall thickness. Drainable blades are positioned at 37 1/2° angle.
<b>Screen</b>	5/8" x .040" (16 x 1) expanded, flattened aluminum bird screen in removable frame.
<b>Finish</b>	Mill
<b>Approximate Shipping Weight</b>	14 lbs./ft. (29.3 kg/perm')
<b>Minimum Size</b>	12"w x 12"h (305 x 305)
<b>Maximum Size</b>	Box Frame and Universal Installation Frame: For 150PSF, 88"w x 120"h (2236 x 3048) factory assembly, Unlimited width x 120"h (3048) field assembly. Maximum mullion spacing is 87 7/8". For 100PSF, unlimited width x 90" tall (120" x 90" ship section) or 96" wide by unlimited height (96" x 60" ship sections). Unlimited width x unlimited height louver assemblies can be supplied however additional structural supports are required for design and installed by other sections may be stacked vertically with a suitable structural support designed and installed by others. reference Detail K in frame construction segment.
<b>Installation</b>	The ELF6375DXD must be installed per the appropriate installation detail. Reference the appropriate separate installation instruction sheets.

### FEATURES

- ▶ Box Frame construction for use in cast-in place concrete, grout filled CMU, wood, steel and aluminum installation
- ▶ Windload: Minimum 100PSF (4.7KPa), Maximum 150PSF (8.01 kPa)
- ▶ 57% Free Area
- ▶ Published performance rating based on testing in accordance with AMCA Publication 511 & 512
- ▶ AMCA 540 Listed for Basic Protection
- ▶ AMCA 550-High Velocity Wind Driven Rain Resistant with Damper
- ▶ Miami-Dade NOA Approval 24-0605.04
- ▶ 2023 Florida Product Approval FL#21829.8
- ▶ Texas Department of Insurance (TDI) Listed LVR-10
- ▶ AMCA 500 -L Tested



YEAR LIMITED WARRANTY

ISO 9001 CERTIFIED



### VARIATIONS

- ▶ Universal Flange Frame (US) construction for quick installation
- ▶ Design Option for 100PSF and 150PSF
- ▶ Extended Sill
- ▶ Variety of screens
- ▶ Security Bars
- ▶ Filter Racks
- ▶ Blank off (insulated or non insulated)
- ▶ Glazing and Front Flange (installation must follow Dade County installation angle protocol)
- ▶ Optional finishes available at additional cost. Please see [Paint Finishes and Color Guide](#) and [Finish Type Model Chart](#) for more details. Contact [louversales@ruskin.com](mailto:louversales@ruskin.com) with questions

Consult Ruskin for other special requirements.

#### NOTES:

- Dimensions in inches, parenthesis ( ) indicate millimeters.
- Units can be furnished actual size or with size deducts.

# FREE AREA GUIDE

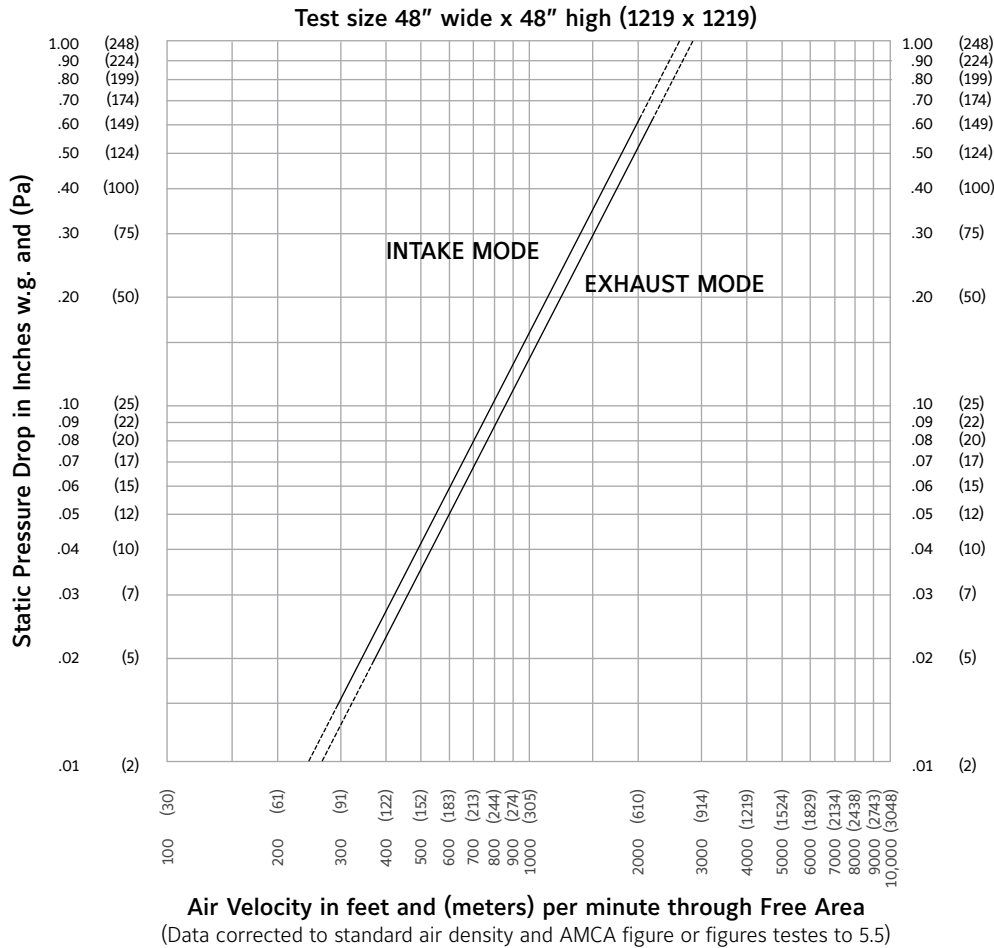
Free Area Guide shows free area in ft<sup>2</sup> and m<sup>2</sup> for various sizes of ELF6375DXD.

## Width – Inches and Meters

HEIGHT	12	18	24	30	36	42	48	54	60	66	72	78	84	90	96	102	108	114	120
	0.30	0.45	0.60	0.75	0.90	1.05	1.20	1.35	1.50	1.65	1.80	1.95	2.10	2.25	2.40	2.55	2.70	2.85	3.00
<b>12</b> 0.30	<b>0.36</b> 0.03	<b>0.57</b> 0.05	<b>0.79</b> 0.07	<b>1.00</b> 0.09	<b>1.22</b> 0.11	<b>1.43</b> 0.13	<b>1.65</b> 0.15	<b>1.86</b> 0.17	<b>2.08</b> 0.19	<b>2.29</b> 0.21	<b>2.51</b> 0.23	<b>2.72</b> 0.25	<b>2.94</b> 0.27	<b>3.15</b> 0.29	<b>3.37</b> 0.31	<b>3.58</b> 0.33	<b>3.80</b> 0.35	<b>4.01</b> 0.37	<b>4.23</b> 0.39
<b>18</b> 0.45	<b>0.63</b> 0.06	<b>1.00</b> 0.09	<b>1.38</b> 0.13	<b>1.76</b> 0.16	<b>2.13</b> 0.20	<b>2.51</b> 0.23	<b>2.89</b> 0.27	<b>3.26</b> 0.30	<b>3.64</b> 0.34	<b>4.02</b> 0.37	<b>4.39</b> 0.41	<b>4.77</b> 0.44	<b>5.15</b> 0.48	<b>5.52</b> 0.51	<b>5.90</b> 0.55	<b>6.28</b> 0.58	<b>6.65</b> 0.62	<b>7.03</b> 0.65	<b>7.41</b> 0.69
<b>24</b> 0.60	<b>0.90</b> 0.08	<b>1.44</b> 0.13	<b>1.97</b> 0.18	<b>2.51</b> 0.23	<b>3.05</b> 0.28	<b>3.59</b> 0.33	<b>4.13</b> 0.38	<b>4.66</b> 0.43	<b>5.20</b> 0.48	<b>5.74</b> 0.53	<b>6.28</b> 0.58	<b>6.82</b> 0.63	<b>7.36</b> 0.68	<b>7.89</b> 0.73	<b>8.43</b> 0.78	<b>8.97</b> 0.83	<b>9.51</b> 0.88	<b>10.05</b> 0.93	<b>10.58</b> 0.98
<b>30</b> 0.75	<b>1.17</b> 0.11	<b>1.87</b> 0.17	<b>2.57</b> 0.24	<b>3.27</b> 0.30	<b>3.97</b> 0.37	<b>4.67</b> 0.43	<b>5.37</b> 0.50	<b>6.07</b> 0.56	<b>6.76</b> 0.63	<b>7.46</b> 0.69	<b>8.16</b> 0.76	<b>8.86</b> 0.82	<b>9.56</b> 0.89	<b>10.26</b> 0.95	<b>10.96</b> 1.02	<b>11.66</b> 1.08	<b>12.36</b> 1.15	<b>13.06</b> 1.21	<b>13.76</b> 1.28
<b>36</b> 0.90	<b>1.44</b> 0.13	<b>2.30</b> 0.21	<b>3.16</b> 0.29	<b>4.02</b> 0.37	<b>4.88</b> 0.45	<b>5.74</b> 0.53	<b>6.60</b> 0.61	<b>7.47</b> 0.69	<b>8.33</b> 0.77	<b>9.19</b> 0.85	<b>10.05</b> 0.93	<b>10.91</b> 1.01	<b>11.77</b> 1.09	<b>12.63</b> 1.18	<b>13.50</b> 1.26	<b>14.36</b> 1.34	<b>15.22</b> 1.42	<b>16.08</b> 1.50	<b>16.94</b> 1.58
<b>42</b> 1.05	<b>1.71</b> 0.16	<b>2.73</b> 0.25	<b>3.75</b> 0.35	<b>4.77</b> 0.44	<b>5.80</b> 0.54	<b>6.82</b> 0.63	<b>7.84</b> 0.73	<b>8.87</b> 0.82	<b>9.89</b> 0.92	<b>10.91</b> 1.01	<b>11.94</b> 1.11	<b>12.96</b> 1.21	<b>13.98</b> 1.30	<b>15.01</b> 1.40	<b>16.03</b> 1.49	<b>17.05</b> 1.59	<b>18.07</b> 1.68	<b>19.10</b> 1.78	<b>20.12</b> 1.87
<b>48</b> 1.20	<b>1.97</b> 0.18	<b>3.16</b> 0.29	<b>4.34</b> 0.40	<b>5.53</b> 0.51	<b>6.71</b> 0.62	<b>7.90</b> 0.73	<b>9.08</b> 0.84	<b>10.27</b> 0.95	<b>11.45</b> 1.07	<b>12.64</b> 1.18	<b>13.82</b> 1.29	<b>15.01</b> 1.40	<b>16.19</b> 1.51	<b>17.38</b> 1.62	<b>18.56</b> 1.73	<b>19.75</b> 1.84	<b>20.93</b> 1.95	<b>22.11</b> 2.06	<b>23.30</b> 2.17
<b>54</b> 1.35	<b>2.24</b> 0.21	<b>3.59</b> 0.33	<b>4.94</b> 0.46	<b>6.28</b> 0.58	<b>7.63</b> 0.71	<b>8.98</b> 0.83	<b>10.32</b> 0.96	<b>11.67</b> 1.09	<b>13.01</b> 1.21	<b>14.36</b> 1.34	<b>15.71</b> 1.46	<b>17.05</b> 1.59	<b>18.40</b> 1.71	<b>19.75</b> 1.84	<b>21.09</b> 1.96	<b>22.44</b> 2.09	<b>23.79</b> 2.21	<b>25.13</b> 2.34	<b>26.48</b> 2.46
<b>60</b> 1.50	<b>2.51</b> 0.23	<b>4.02</b> 0.37	<b>5.53</b> 0.51	<b>7.04</b> 0.65	<b>8.55</b> 0.79	<b>10.05</b> 0.93	<b>11.56</b> 1.08	<b>13.07</b> 1.22	<b>14.58</b> 1.36	<b>16.09</b> 1.50	<b>17.59</b> 1.64	<b>19.10</b> 1.78	<b>20.61</b> 1.92	<b>22.12</b> 2.06	<b>23.63</b> 2.20	<b>25.13</b> 2.34	<b>26.64</b> 2.48	<b>28.15</b> 2.62	<b>29.66</b> 2.76
<b>66</b> 1.65	<b>2.78</b> 0.26	<b>4.45</b> 0.41	<b>6.12</b> 0.57	<b>7.79</b> 0.72	<b>9.46</b> 0.88	<b>11.13</b> 1.04	<b>12.80</b> 1.19	<b>14.47</b> 1.35	<b>16.14</b> 1.50	<b>17.81</b> 1.66	<b>19.48</b> 1.81	<b>21.15</b> 1.97	<b>22.82</b> 2.12	<b>24.49</b> 2.28	<b>26.16</b> 2.43	<b>27.83</b> 2.59	<b>29.50</b> 2.74	<b>31.17</b> 2.90	<b>32.84</b> 3.05
<b>72</b> 1.80	<b>3.05</b> 0.28	<b>4.88</b> 0.45	<b>6.71</b> 0.62	<b>8.55</b> 0.79	<b>10.38</b> 0.97	<b>12.21</b> 1.14	<b>14.04</b> 1.31	<b>15.87</b> 1.48	<b>17.70</b> 1.65	<b>19.53</b> 1.82	<b>21.36</b> 1.99	<b>23.20</b> 2.16	<b>25.03</b> 2.33	<b>26.86</b> 2.50	<b>28.69</b> 2.67	<b>30.52</b> 2.84	<b>32.35</b> 3.01	<b>34.18</b> 3.18	<b>36.02</b> 3.35
<b>78</b> 1.95	<b>3.32</b> 0.31	<b>5.31</b> 0.49	<b>7.31</b> 0.68	<b>9.30</b> 0.86	<b>11.29</b> 1.05	<b>13.29</b> 1.24	<b>15.28</b> 1.42	<b>17.27</b> 1.61	<b>19.26</b> 1.79	<b>21.26</b> 1.98	<b>23.25</b> 2.16	<b>25.24</b> 2.35	<b>27.24</b> 2.53	<b>29.23</b> 2.72	<b>31.22</b> 2.90	<b>33.22</b> 3.09	<b>35.21</b> 3.27	<b>37.20</b> 3.46	<b>39.19</b> 3.65
<b>84</b> 2.10	<b>3.59</b> 0.33	<b>5.75</b> 0.53	<b>7.90</b> 0.73	<b>10.05</b> 0.94	<b>12.21</b> 1.14	<b>14.36</b> 1.34	<b>16.52</b> 1.54	<b>18.67</b> 1.74	<b>20.83</b> 1.94	<b>22.98</b> 2.14	<b>25.14</b> 2.34	<b>27.29</b> 2.54	<b>29.45</b> 2.74	<b>31.60</b> 2.94	<b>33.75</b> 3.14	<b>35.91</b> 3.34	<b>38.06</b> 3.54	<b>40.22</b> 3.74	<b>42.37</b> 3.94
<b>90</b> 2.25	<b>3.86</b> 0.36	<b>6.18</b> 0.57	<b>8.49</b> 0.79	<b>10.81</b> 1.01	<b>13.13</b> 1.22	<b>15.44</b> 1.44	<b>17.76</b> 1.65	<b>20.07</b> 1.87	<b>22.39</b> 2.08	<b>24.71</b> 2.30	<b>27.02</b> 2.51	<b>29.34</b> 2.73	<b>31.65</b> 2.94	<b>33.97</b> 3.16	<b>36.29</b> 3.37	<b>38.60</b> 3.59	<b>40.92</b> 3.81	<b>43.24</b> 4.02	<b>45.55</b> 4.24
<b>96</b> 2.40	<b>4.13</b> 0.38	<b>6.61</b> 0.61	<b>9.09</b> 0.84	<b>11.56</b> 1.08	<b>14.04</b> 1.31	<b>16.52</b> 1.54	<b>19.00</b> 1.77	<b>21.47</b> 2.00	<b>23.95</b> 2.23	<b>26.43</b> 2.46	<b>28.91</b> 2.69	<b>31.39</b> 2.92	<b>33.86</b> 3.15	<b>36.34</b> 3.38	<b>38.82</b> 3.61	<b>41.30</b> 3.84	<b>43.78</b> 4.07	<b>46.25</b> 4.30	<b>48.73</b> 4.53
<b>102</b> 2.55	<b>4.40</b> 0.41	<b>7.04</b> 0.65	<b>9.68</b> 0.90	<b>12.32</b> 1.15	<b>14.96</b> 1.39	<b>17.60</b> 1.64	<b>20.24</b> 1.88	<b>22.88</b> 2.13	<b>25.51</b> 2.37	<b>28.15</b> 2.62	<b>30.79</b> 2.86	<b>33.43</b> 3.11	<b>36.07</b> 3.35	<b>38.71</b> 3.60	<b>41.35</b> 3.85	<b>43.99</b> 4.09	<b>46.63</b> 4.34	<b>49.27</b> 4.58	<b>51.91</b> 4.83
<b>108</b> 2.70	<b>4.67</b> 0.43	<b>7.47</b> 0.69	<b>10.27</b> 0.96	<b>13.07</b> 1.22	<b>15.87</b> 1.48	<b>18.67</b> 1.74	<b>21.48</b> 2.00	<b>24.28</b> 2.26	<b>27.08</b> 2.52	<b>29.88</b> 2.78	<b>32.68</b> 3.04	<b>35.48</b> 3.30	<b>38.28</b> 3.56	<b>41.08</b> 3.82	<b>43.88</b> 4.08	<b>46.69</b> 4.34	<b>49.49</b> 4.60	<b>52.29</b> 4.86	<b>55.09</b> 5.12
<b>114</b> 2.85	<b>4.94</b> 0.46	<b>7.90</b> 0.73	<b>10.86</b> 1.01	<b>13.83</b> 1.29	<b>16.79</b> 1.56	<b>19.75</b> 1.84	<b>22.71</b> 2.11	<b>25.68</b> 2.39	<b>28.64</b> 2.66	<b>31.60</b> 2.94	<b>34.57</b> 3.21	<b>37.53</b> 3.49	<b>40.49</b> 3.77	<b>43.45</b> 4.04	<b>46.42</b> 4.32	<b>49.38</b> 4.59	<b>52.34</b> 4.87	<b>55.30</b> 5.14	<b>58.27</b> 5.42
<b>120</b> 3.00	<b>5.21</b> 0.48	<b>8.33</b> 0.77	<b>11.46</b> 1.07	<b>14.58</b> 1.36	<b>17.70</b> 1.65	<b>20.83</b> 1.94	<b>23.95</b> 2.23	<b>27.08</b> 2.52	<b>30.20</b> 2.81	<b>33.33</b> 3.10	<b>36.45</b> 3.39	<b>39.58</b> 3.68	<b>42.70</b> 3.97	<b>45.82</b> 4.26	<b>48.95</b> 4.55	<b>52.07</b> 4.84	<b>55.20</b> 5.13	<b>58.32</b> 5.42	<b>61.45</b> 5.71

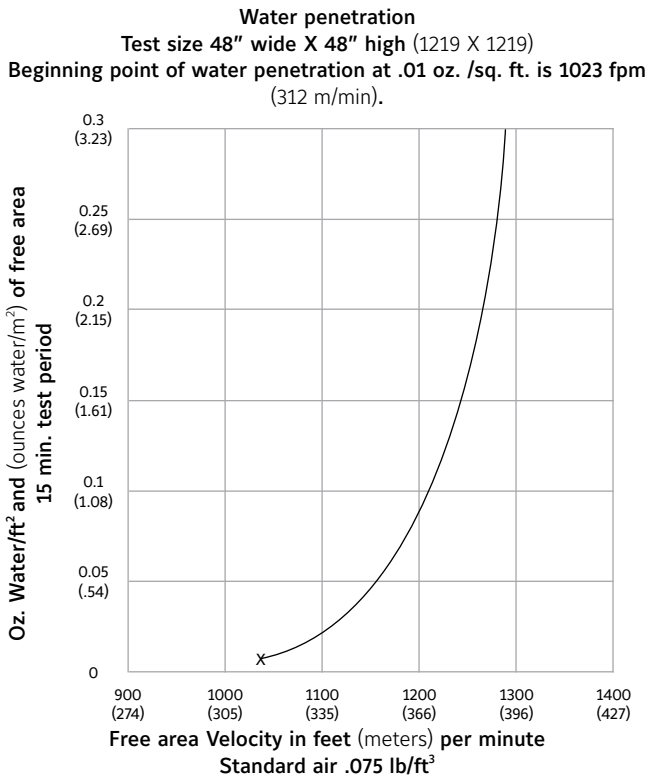
Height- Inches and Meters

# PRESSURE DROP



Ratings do not include the effect of a bird screen.

# WATER PENETRATION GRAPH



Ratings do not include the effect of a bird screen.

Ruskin Company certifies that the ELF6375DXD louvers shown herein is licensed to bear the AMCA Seal. The ratings shown are based on tests and procedures performed in accordance with AMCA Publication 511 and comply with the requirements of the AMCA Certified Ratings Program. The AMCA Certified Ratings Seal applies to air performance ratings and water penetration ratings only.



This label does not signify AMCA air flow performance certification.



This label does not signify AMCA air flow performance certification.

Ruskin certifies that the ELF6375DXD shown herein is approved to bear the AMCA Listing Label. The ratings shown are based on tests and procedures performed in accordance with AMCA Publications and comply with the requirements of the AMCA Listing Label Program.

The AMCA Listing Label applies to wind Born Debris Impact Resistant and High Velocity Wind Driven Rain Resistant Louvers (with optional CD40, CD50 or SD60 damper in the closed position)

## AMCA550 DAMPER OPTIONS

### CONTROL DAMPER

#### CD40 (Thin Line Control Damper)

(The CD40 combines the lowest leakage attainable—6cfm/sq.ft. at 4" w.g. with thin line, 4" overall depth when the damper is completely open.)

- ▶ Damper Frame and Blade Depth 4"
- ▶ Max Single Section 60" x 72"
- ▶ Opposed Blade
- ▶ Mill Finish
- ▶ Factory-Installed, pneumatic and electric actuators
- ▶ SP100 Switch Package
- ▶ Jack shafted or Extended Shaft option
- ▶ Concealed Linkage

#### CD50

(The CD50 is a low Leak, extruded aluminum damper designed with air foil blades for higher velocities and pressure HVAC systems. It meets the leakage requirements of the International energy Conservation Code by leaking less than 3cfm.sq.ft. at 1" of static pressure and is AMCA licensed as a Class 1A damper)

- ▶ Air Leakage AMCA Class 1A
- ▶ Damper Frame Depth is 5" and Blade width is 6"
- ▶ Max Single Section 60" x 72"
- ▶ Opposed Blade
- ▶ Mill Finish
- ▶ Factory-Installed, pneumatic and electric actuators
- ▶ SP100 Switch Package
- ▶ Jack shafted or Extended Shaft option
- ▶ Concealed Linkage

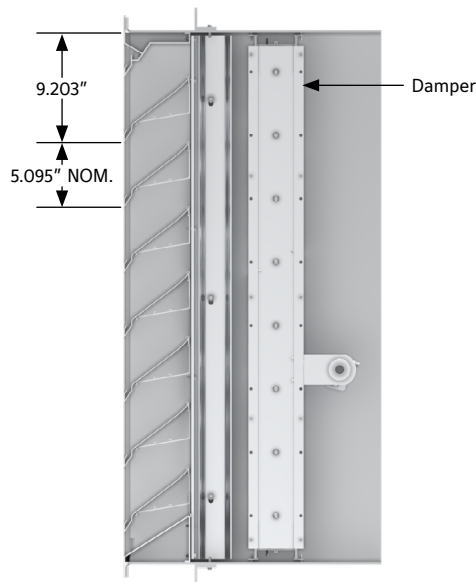
### SMOKE DAMPER

#### SD60 (UL555S Leakage Class 1 Damper)

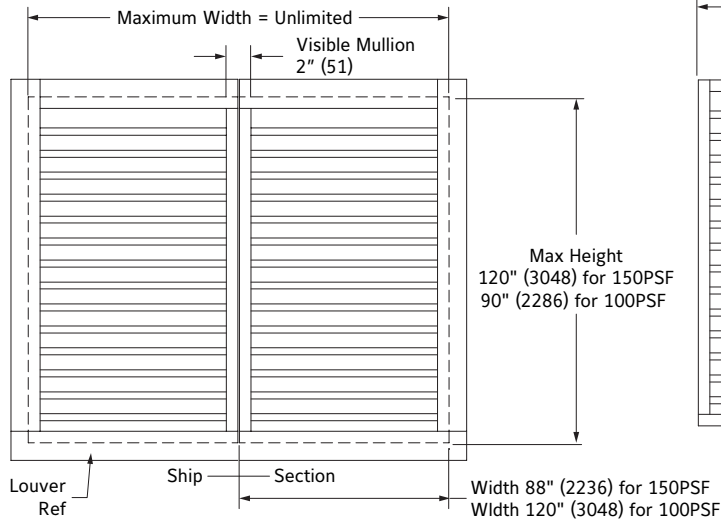
(The SD60 is an ultra-low leakage rated smoke damper used in ducts that penetrate smoke rated barriers.)

- ▶ Air Leakage Class 1
- ▶ Damper Frame Depth is 5" and Blade width is 6"
- ▶ Max Single Section 48" x 72"
- ▶ Opposed Blade
- ▶ Mill Finish
- ▶ Factory-Installed, pneumatic and electric actuators
- ▶ SP100 Switch Package
- ▶ Jack shafted or Extended Shaft option
- ▶ Concealed Linkage

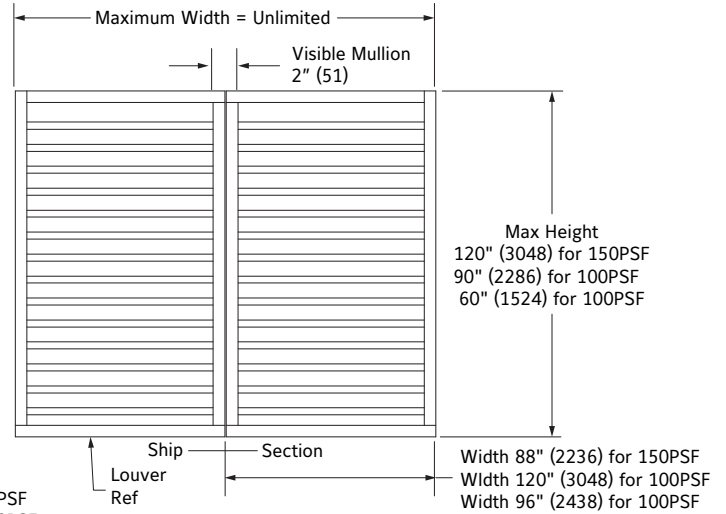
## FRAME CONSTRUCTION (CONTINUED)



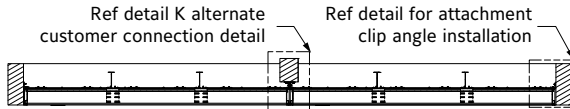
# FRAME CONSTRUCTION ELEVATION



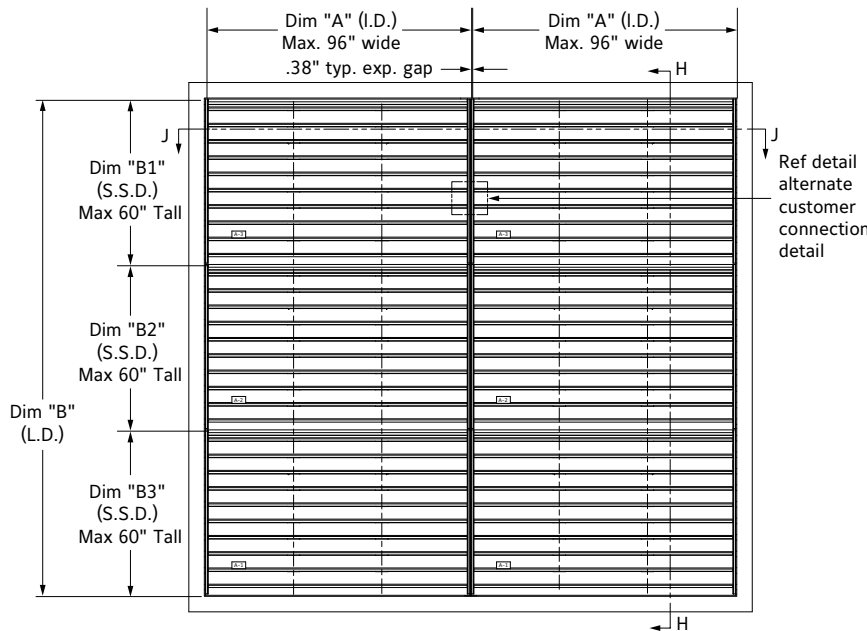
**US INSTALLATION**



**BOX FRAME INSTALLATION**

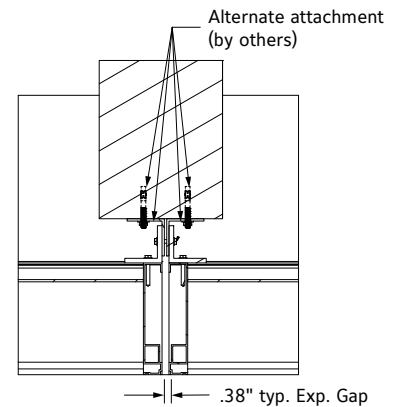


**SECTION J-J**



**ASSEMBLY "B" - 100PSF WINDLOAD - JAMB ONLY ATTACHMENT**

Max. Ship Section - 96.000" W X 60.000" H



**DETAIL K**

Alternate Customer Connection Detail (Screen not shown for clarity)

Note: for heights over 90" tall, multisection assemblies are required to have an additional structure provided by other. The design of that structure will be the responsibility of the engineer of record

**GENERAL NOTES:**

1. Reference separate Installation Instruction sheets for installation details. Each frame style has a distinct installation method that must be compiled with for Miami-Dade Approval. It is the responsibility of the installing contractor to properly install the louvers per the appropriate detail.
2. On special orders, Ruskin may provide submittal and/or shop drawings. Reference these drawings for additional installation information.
3. Continuous angles and fasteners supplied with UFF louvers are shipped loose.
4. Louvers may be provided with hidden vertical blade supports (HVBS) that increase overall installation depth by several inches. Consult Ruskin Louver Engineering for exact HVBS depth.
5. Louvers wider than the maximum single section width will be shipped in multiple sections and will require field assembly.

\*\*\*These images are based on the 150PSF option, similar design

## SUGGESTED SPECIFICATION

Furnish and install louvers as hereinafter specified where shown on plans or as described in schedules. Drainable stationary louver meeting the performance criteria established by the Florida Building Code and Miami-Dade County. Combination louvers shall be certified to FBC standards TAS 201 (Large Missile Impact), TAS 202 (Uniform Static Air Pressure) and TAS 203 (Cyclic Wind Loading). Louvers shall be manufactured in an ISO 9001 certified factory.

Louvers shall be stationary type contained within a 6" (152) frame. Louver components (heads, jambs, sills, blades, and mullions) shall be factory assembled by the louver manufacturer. Louver sizes too large for shipping shall be built up by the contractor from factory assembled louver sections to provide overall sizes required.

Louvers shall be Ruskin Model ELF6375DXD construction as follows:

### Material

Frame: .125" (3.18) aluminum channel.

Blades: .081" (2.1) nominal wall thickness.

Extended: .081" (2.1) wall thickness with upturned side panels to

Screen: 5/8" mesh x .040" (16 x 1) expanded flattened aluminum bird screen in removable frame. Drainable blades are positioned at 37 1/2°.

Finish: Select finish specification from Ruskin Finishes Brochure.

Published louver performance data bearing the AMCA Certified Ratings Seal for Air Performance and Water Penetration must be submitted for approval prior to fabrication and must demonstrate pressure drop equal to or less than the Ruskin model specified.

### Structural Design

Integral structural supports shall be designed and furnished by the louver manufacturer to carry a wind load of not less than 100psf (4.7 kPa) and no more than 150 psf (7.18 kPa).

## LINKS TO IMPORTANT DOCUMENTS

Document Title
<a href="#">Paint Finishes and Color Guide</a>
<a href="#">Limited Warranty Document</a>
<a href="#">ELF6375DXD 100PSF Installation Guide</a>



3900 Doctor Greaves Road  
Grandview, MO 64030  
Website: [www.ruskin.com](http://www.ruskin.com)  
Phone: (816) 761-7476