

Energy Recovery Ventilators MCV CORE Series

ENERVENT

 **RUSKIN**
AUTHORITY IN AIR CONTROL

Introducing enERVent MCV Static Core Series



- New Static CORE ERV series 300-1,200 CFM (Indoor Only)
- CORE differentiation – Unique & proprietary heat exchanger
- Complementary line to newly expanded Mini-Vent series



Introducing enERVent MCV Static CORE Series



SAVINGS

- Meets ASHRAE 90.1-2010 of >50% Total Effectiveness
- Reduces size of cooling system by 30% with latent recovery



HEALTH

- AHRI Certified with 0.5% EATR (cross-over)
- ASTM F-1671 tested with no virus transfer
- ISO 846 rated for no mold & bacteria growth



COMFORT

- Dehumidifies in summer and humidifies in winter

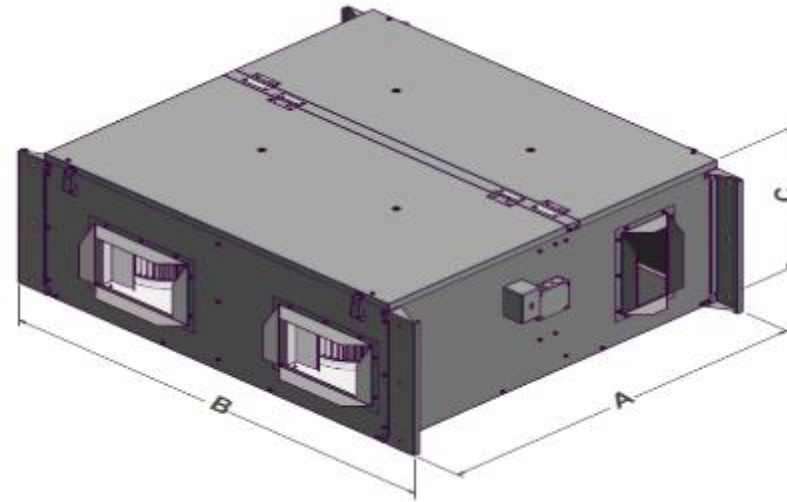
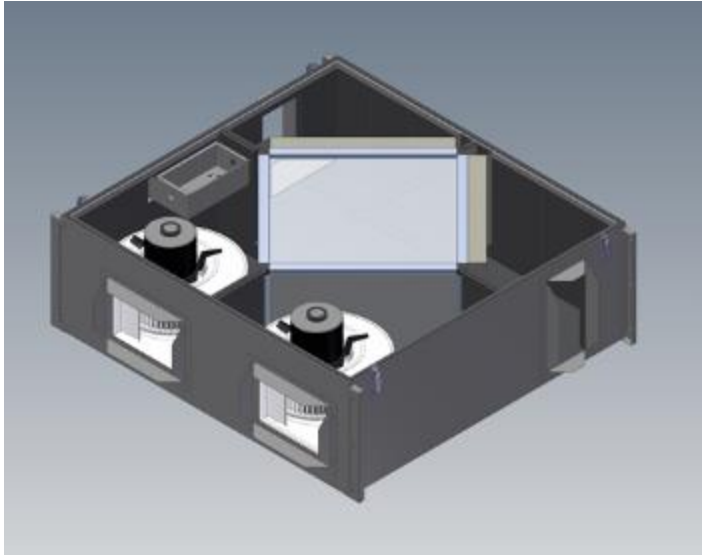


RELIABILITY

- No seals that can fail
- Low maintenance
- Water washable



Introducing enERVent MCV Static Core Series



Model	A	B	C	Approx. Weight (Lbs)	Airflow Range (CFM)
MCV500	42.3	50.9	15.5	200	300-600
MCV1000	42.3	50.9	20.6	235	600-1,200

enERVent MCV Differentiation



	Ruskin enERVent	Competitor 1	Competitor 2
CORE Substrate	<i>Polymer Membrane</i>	<i>Cellulose</i>	<i>Cellulose</i>
Washable	<i>Yes</i>	<i>No</i>	<i>No</i>
Freeze Tolerant	<i>Yes</i>	<i>No</i>	<i>No</i>
ASTM F1671 Viral Penetration Test	<i>0</i>	<i>N/A</i>	<i>N/A</i>
ISO 846 Test A & C Mold & Bacteria Resistance	<i>0</i>	<i>N/A</i>	<i>N/A</i>
EATR (Based on AHRI 1060)	<i>0.50%</i>	<i>1%</i>	<i>2.98%</i>
Pressure Drop (in. w.g.) @ 100% Rated CFM	<i>0.35</i>	<i>0.65</i>	<i>0.65</i>
Total Effectiveness (Heating / Cooling) @ 100% Rated CFM	<i>62% / 55%</i>	<i>64% / 53%</i>	<i>64% / 53%</i>

The Ruskin MCV CORE is uniquely different & superior to the competition



enERVent MCV CORE Differentiation



- ✓ Proprietary Polymer Membrane
- ✓ Water Washable (No Cellulose)
- ✓ Freeze Tolerate (No Cellulose)
- ✓ Lower Frosting Temp & Shorter Defrost Time
- ✓ Avoid Virus Transfer (ASTM F-1671 - 0 Penetration)
- ✓ Mold & Bacteria Resistant (ISO 846 – Rating 0)
- ✓ Crossover EATR < 0.5% (Actual Results 0.1%)
- ✓ Lower Pressure Drop (0.35 in w.g. @ 100% Rated CFM)
- ✓ Sturdy Aluminum Frame



enERVent MCV CORE Differentiation



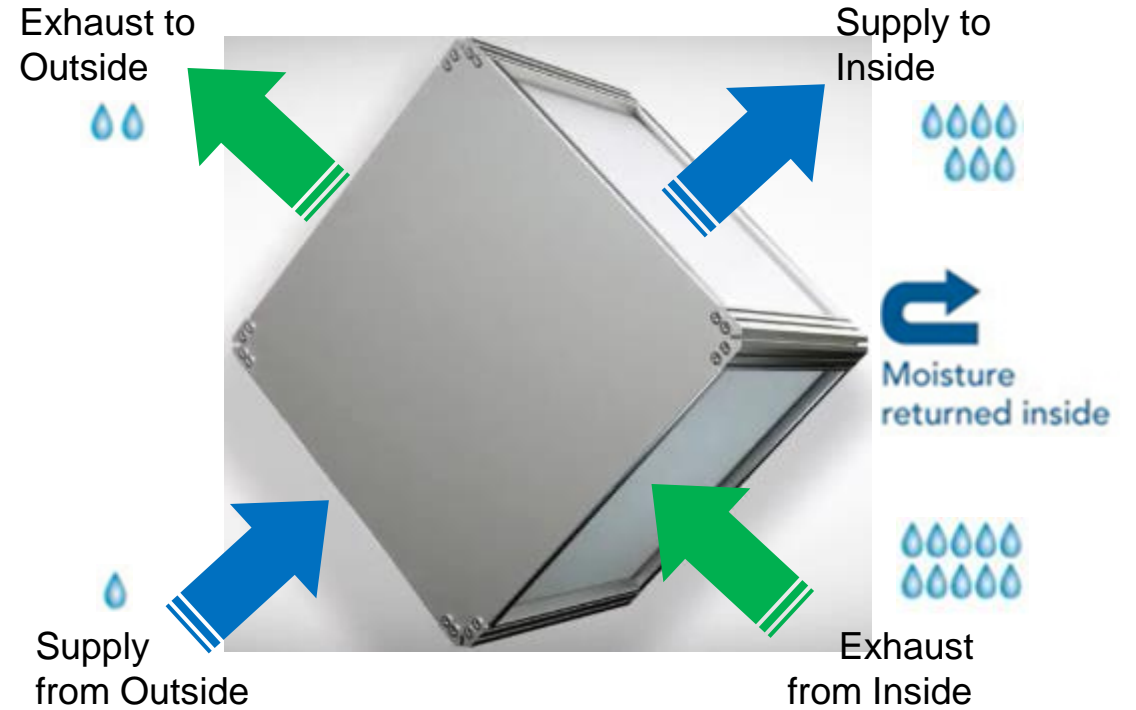
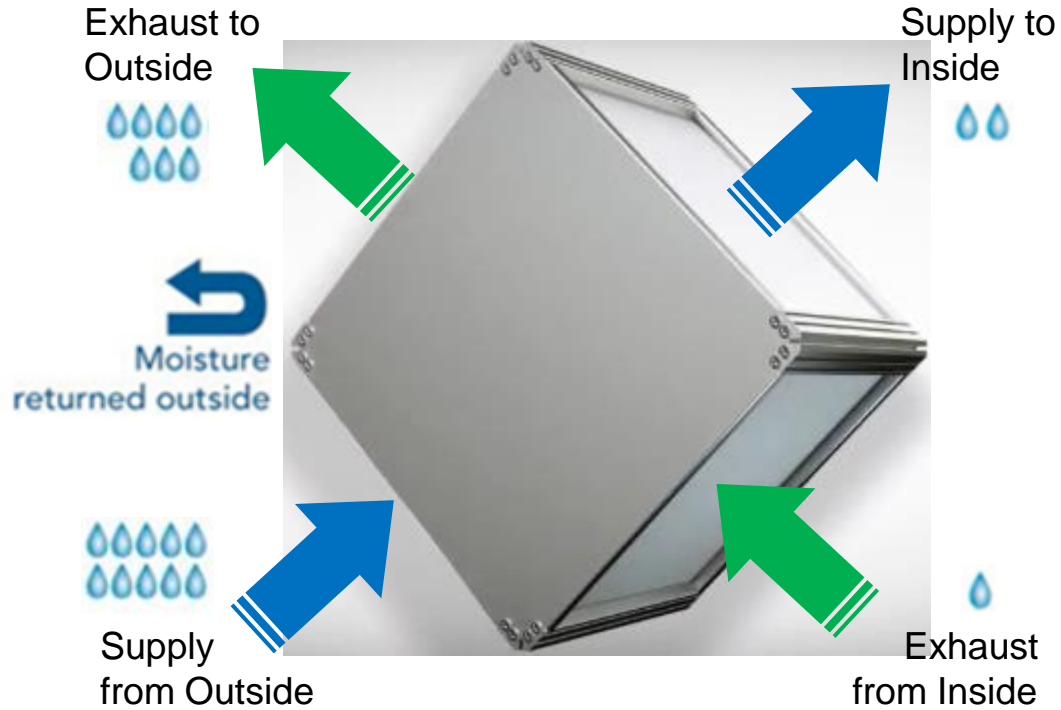
Features	Advantages	Benefits
Proprietary Polymer membrane Paperless (No Cellulose) Aluminum Spacers	Water Washable Freeze Tolerant Resistant to Mold & Bacteria Improved Humidity & Moisture Control	Improved Reliability & Longevity Low Maintenance Faster Payback
Installation Flexibility	Field-Configurable Supply and Exhaust Connections	Simple & Easy Installation & Various Configurations
Low Pressure Drop CORE	Less Resistance to Airflow	Energy Savings
EC Motor Option	High Efficiency with Variable Speed Capabilities	Energy Savings
JCI Metasys Control Option	Seamless Integration into existing Building Automation Systems (BAS) & BACnet Integration	Easy Set-Up, Installation, Commissioning & Unit Connectivity / Control

enERVent MCV CORE – How It Works



SUMMER Cooling Season

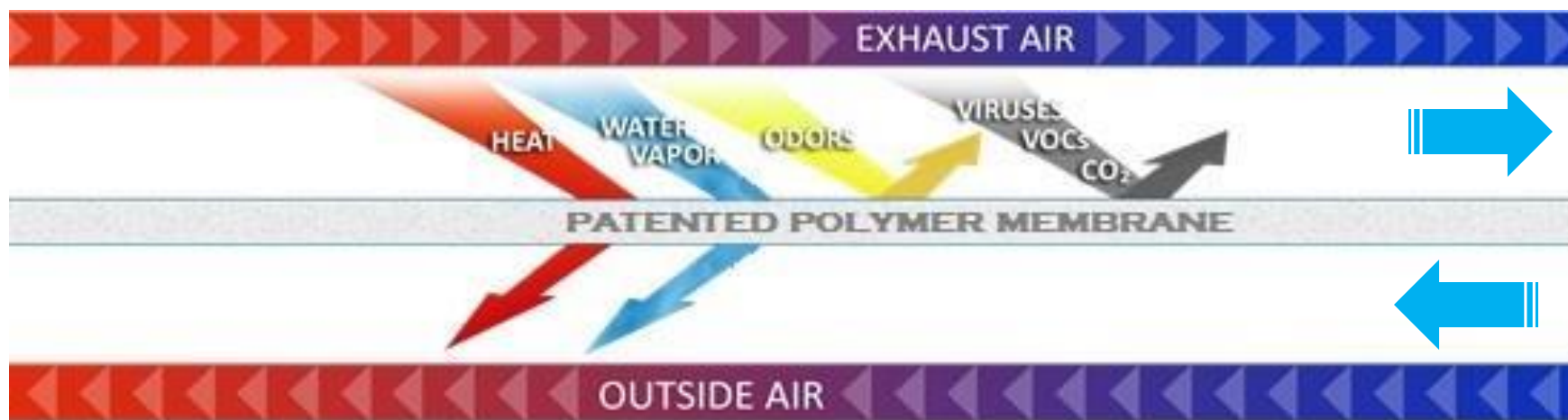
WINTER Heating Season





enERVent Patented Polymer Membrane Advantage

Patented Polymer Membrane allows sensible and latent energy to transfer while completely blocking contaminants such as Odors, VOC's, CO2 and Viruses.



enERVent Patented Polymer Membrane Advantage

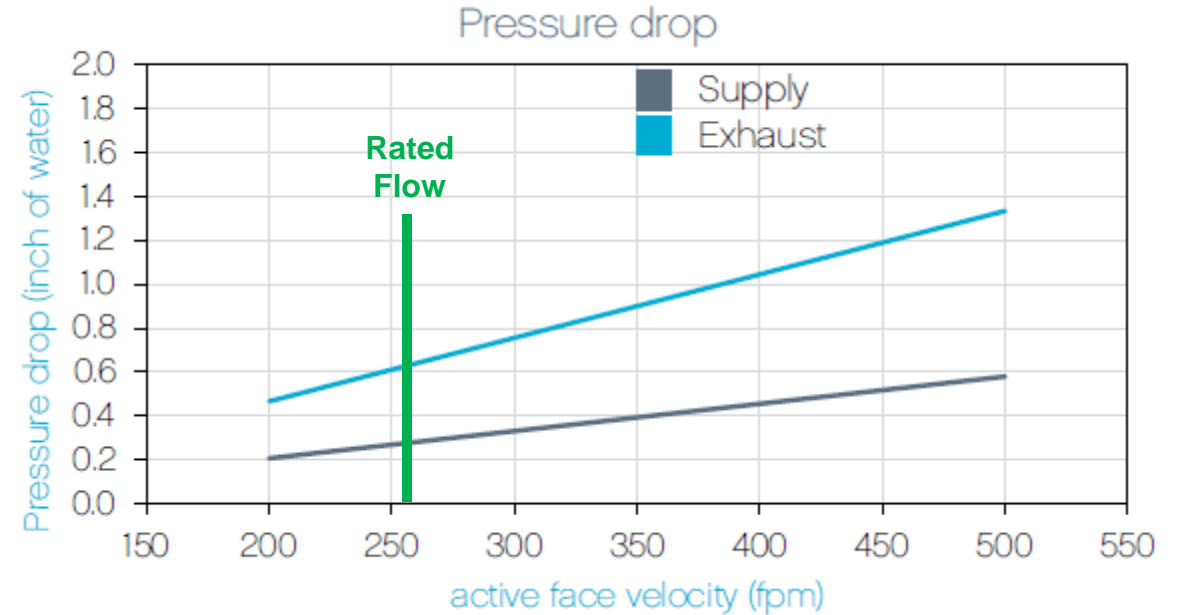
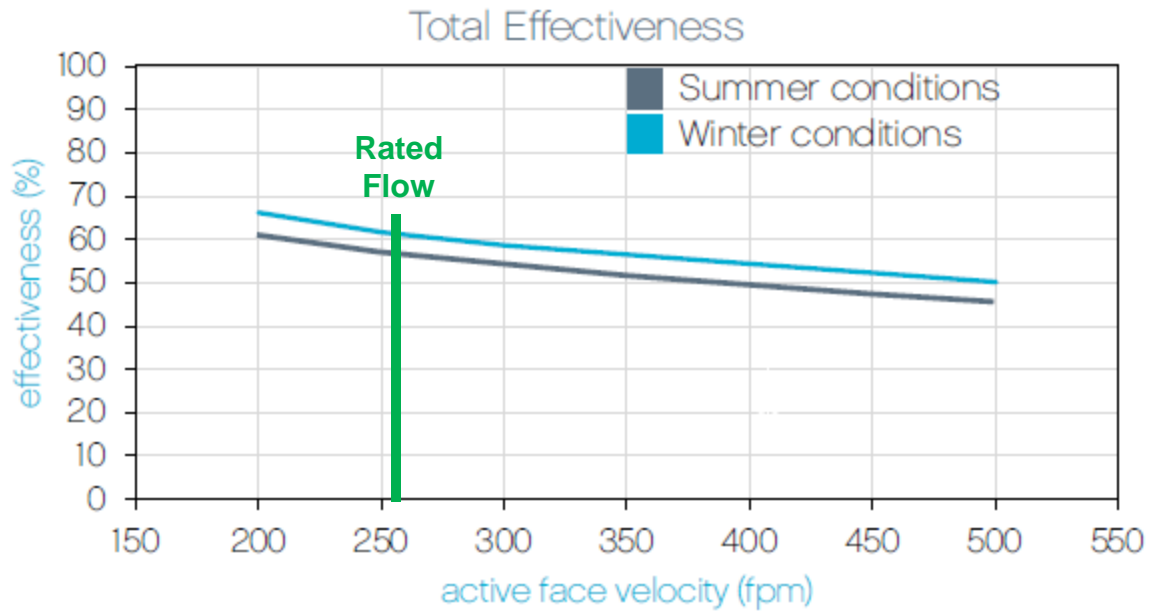


Mold & Bacteria Resistant
Tested to ISO 846 A and C with a rating of 0



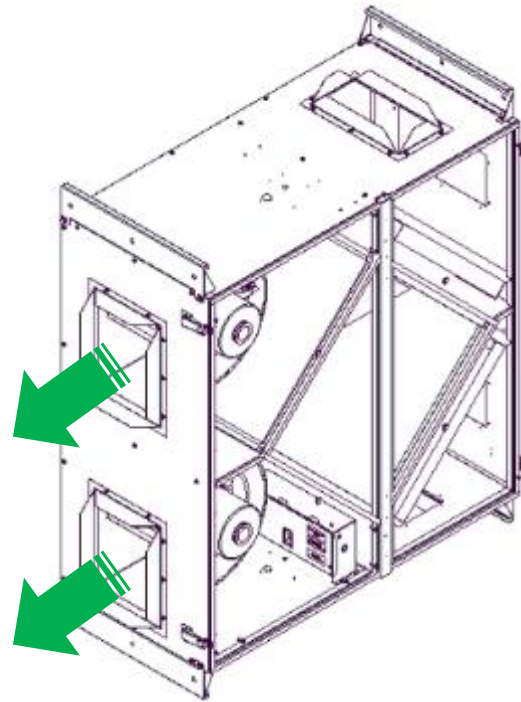
- ✓ ASTM F-1671 tested for no virus cross-over (Penetration 0)
- ✓ AATCC & ISO 846 tested for no mold or bacteria growth (Rating 0)
- ✓ Freeze tolerant tested to (40) freeze thaw cycles (-20°C to +20°C) while maintaining energy recovery and 0.5% EATR rating.
- ✓ UL 723 compliant with a flame spread index < 25 and smoke index < 5.

enERVent MCV CORE Performance

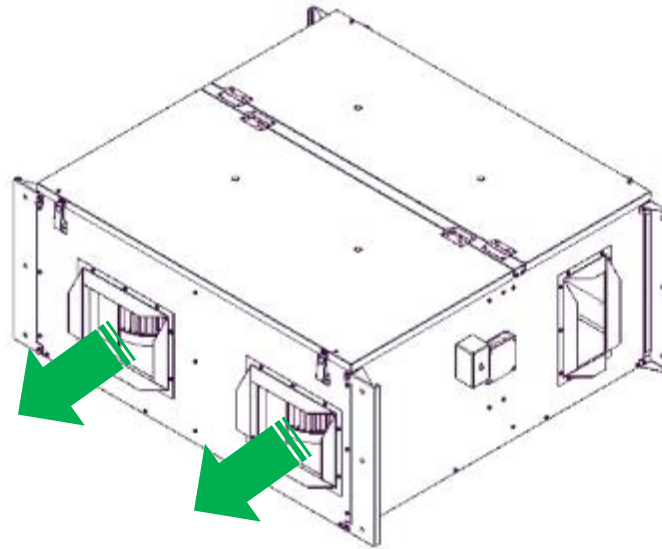


*** CORE operating performance @ 100% Rated CFM**

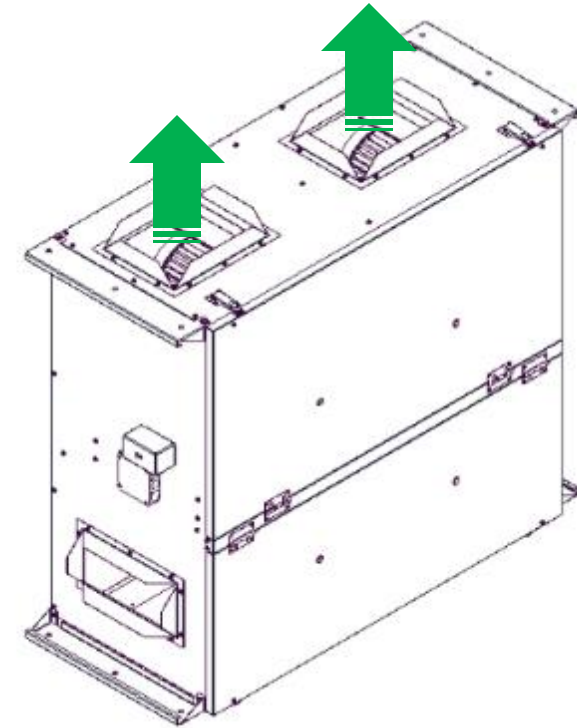
enERVent MCV Mounting Configurations



HORIZONTAL



SIDE



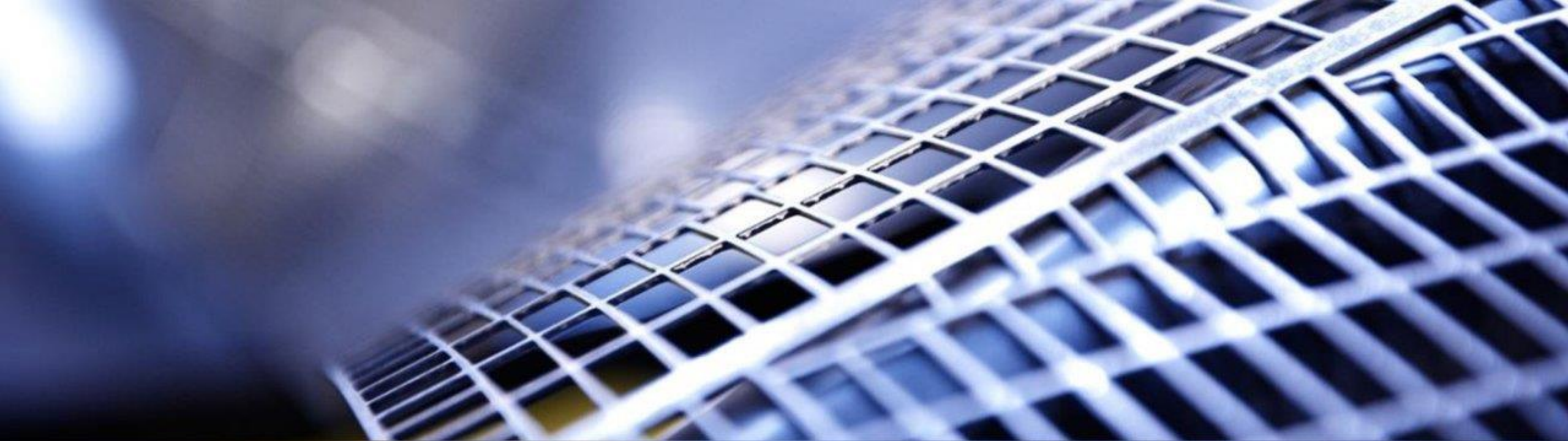
VERTICAL

enERVent MCV Options / Accessories



- ✓ JCI Metasys Controls - BACnet MS/TP
- ✓ JCI MAP – Enabling URL / WiFi Connectivity
- ✓ MERV 13-15 Filters
- ✓ EC Motors
- ✓ Backdraft & Motorized Isolation Dampers





ENERVENT

 **RUSKIN**
AUTHORITY IN AIR CONTROL