

LOUVER DOOR

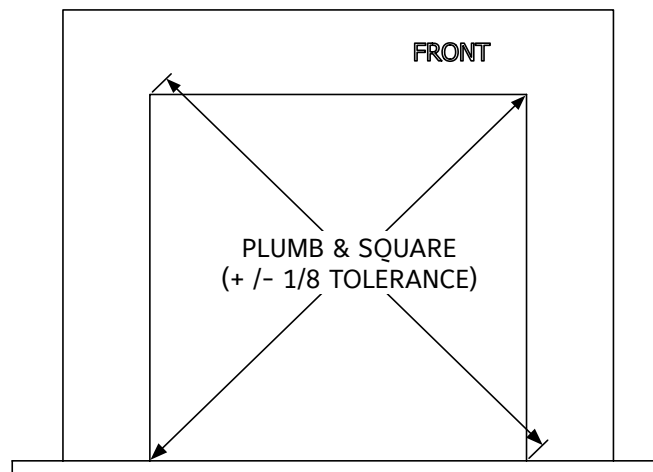
Installation Instructions



PRE-ASSEMBLY INSTRUCTIONS:

1. Remove louvers & accessories from shipping containers & inspect for damage. Single section units will be shipped fully assembled. Multi-section units will be shipped in shipping sections to be assembled at the job site. Large multi section units may be packaged in more than one shipping crate.
2. Care must be taken when handling components. Lift louver sections carefully by the supports or frames. Avoid lifting by louver blades. Do not apply excessive force to any point of the section. Lift at multiple points, if necessary to avoid deformation or racking of components.
3. Inspect louvers & components after removal from containers. Verify that all components & fasteners are accounted for. Report any shortages immediately to Ruskin manufacturing.
4. Inspect the openings that the louvers will be installed in. Verify that the openings are square & that the unit will fit prior to installation.
5. Contact your local Ruskin representative if you have questions pertaining to this installation or other field modifications.
6. Ensure that you have received ship loose parts & a box with hardware.

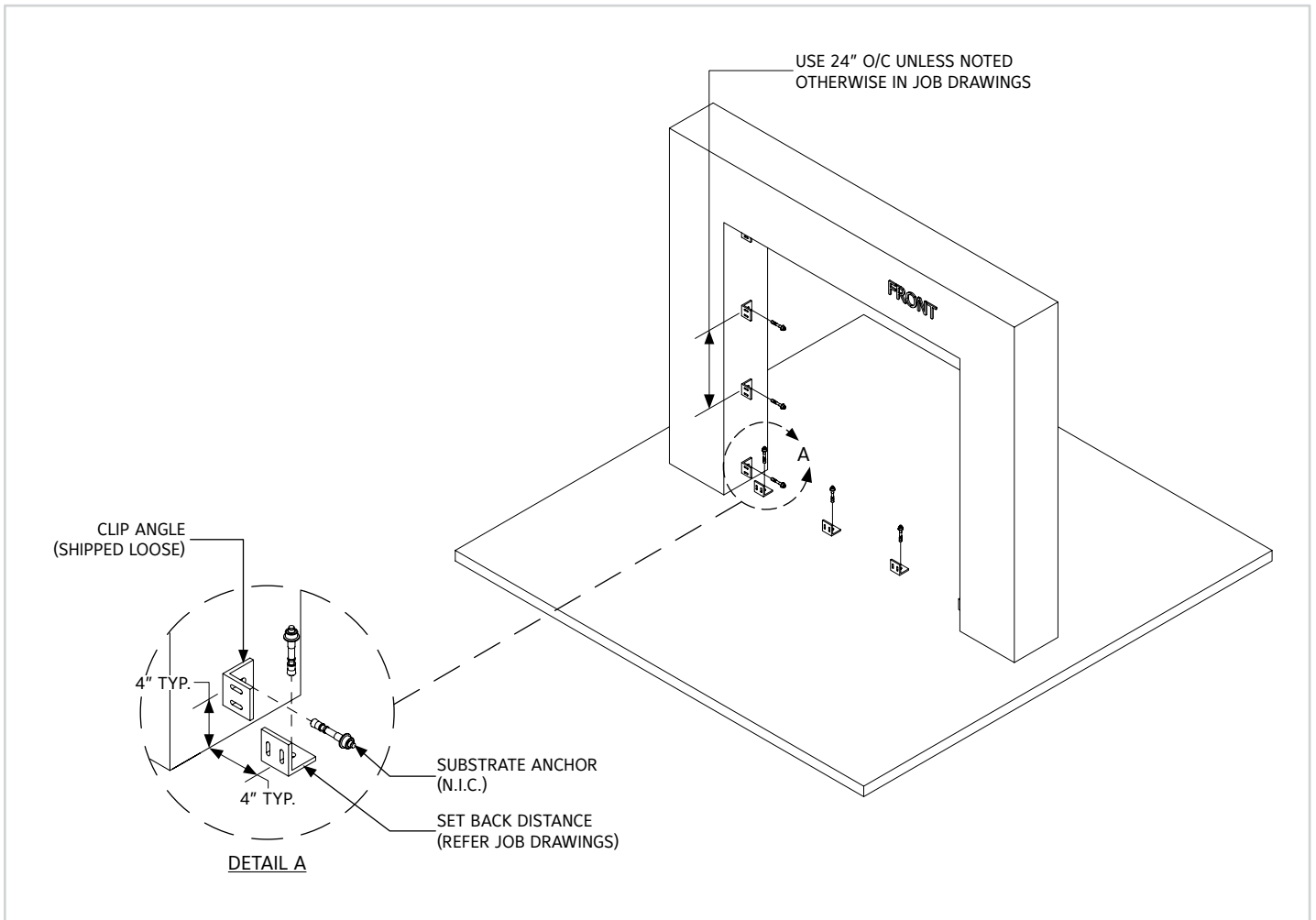
STANDARD INSTALLATION METHOD



Step 01:

1. Inspect the openings that the louvers will be installed in. Verify that the openings are square & that the unit will fit prior to installation.

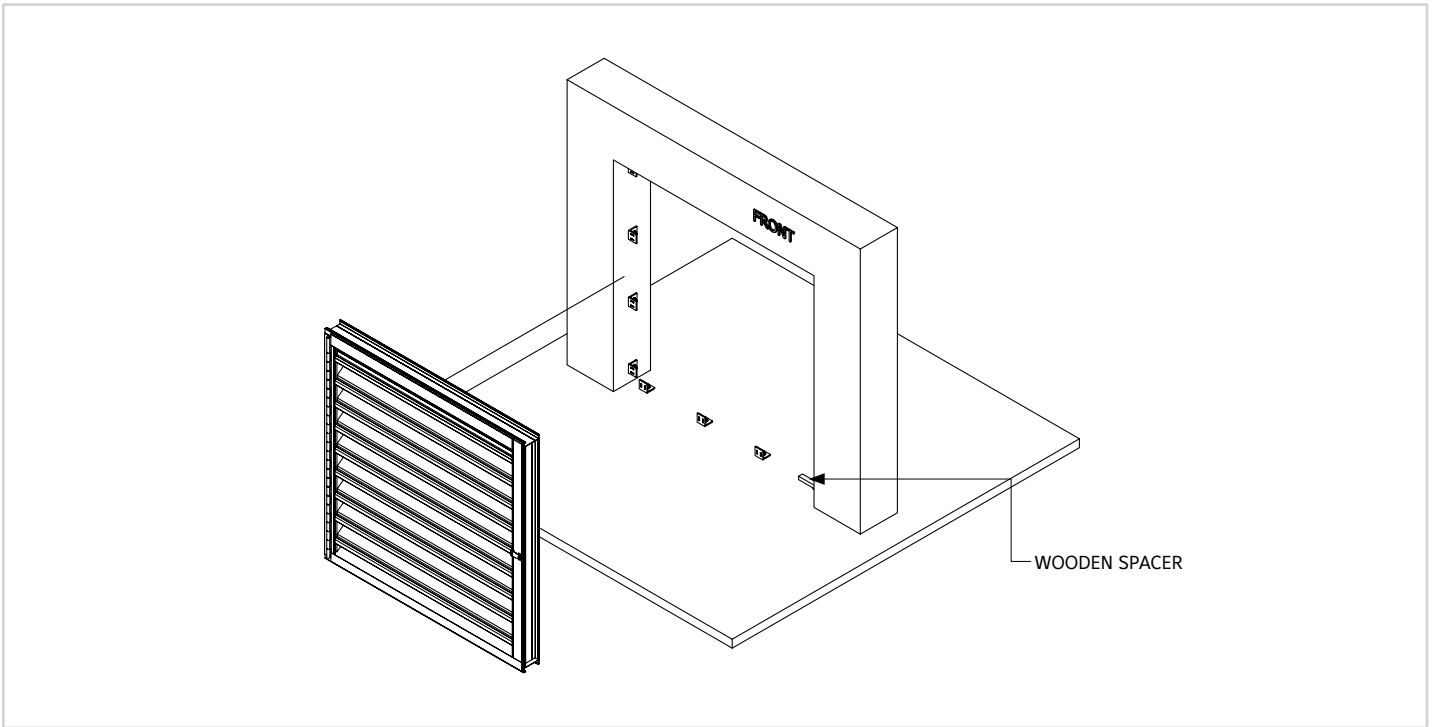
STANDARD INSTALLATION METHOD



Step 02:

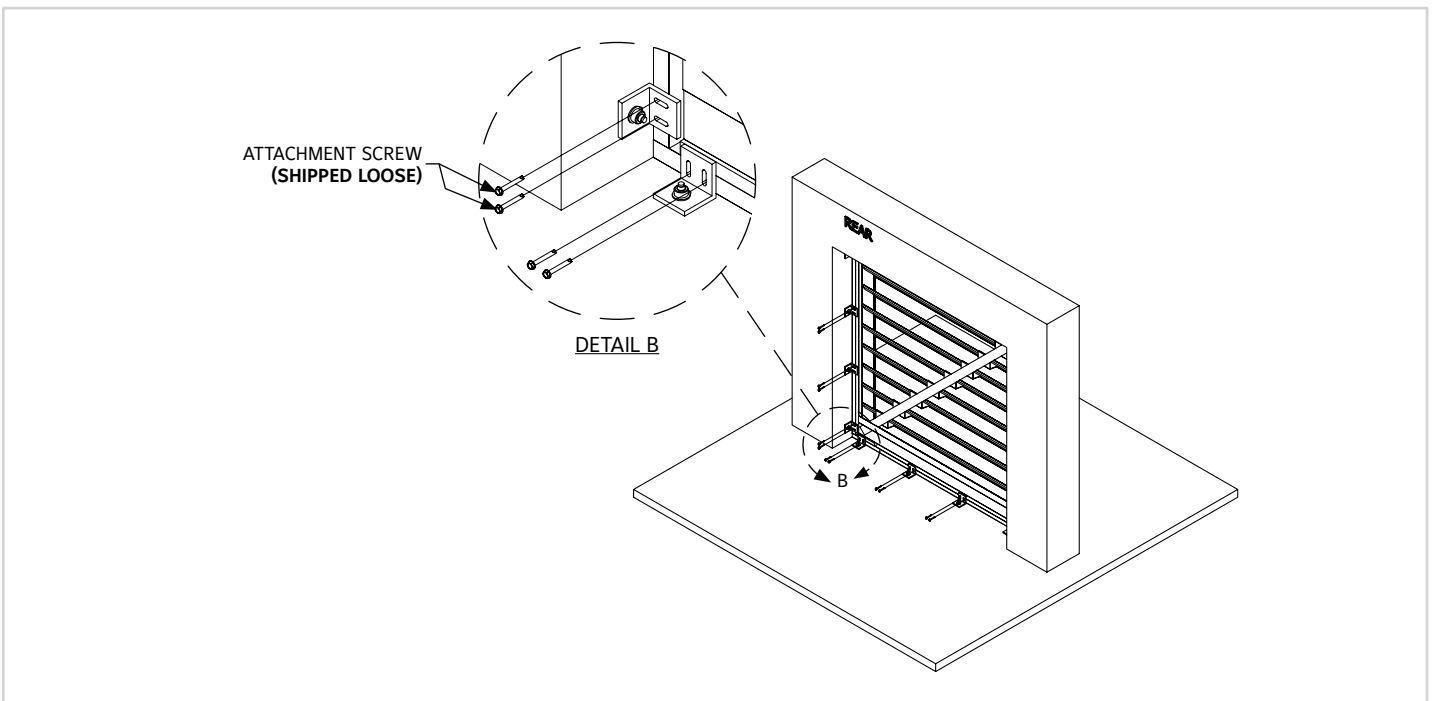
1. If you ordered installation angles, it will come in a kit that includes clip angles, fasteners etc.,
2. Refer to shop drawings to determine set back of clip angles on jamb/head/sill in relation to wall. (If shop drawings were requested).
3. Measure set back distance of clip angles from wall and drill holes into wall as needed.
4. Attach clip angles to wall with substrate fasteners. **(Ref detail A)** (Substrate fasteners not provided by Ruskin).

STANDARD INSTALLATION METHOD



Step 03:

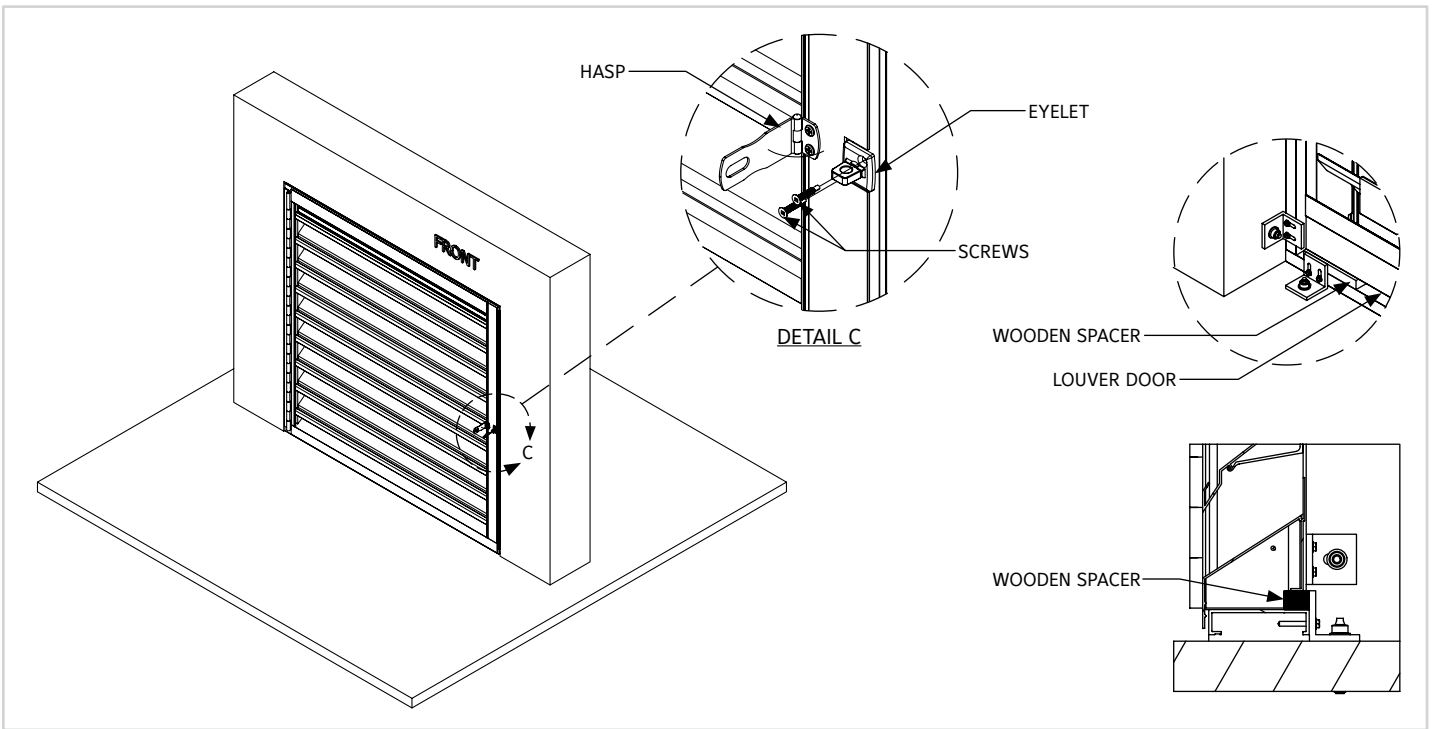
1. Position the louver in the opening so that the desired sealant joint will be maintained around the perimeter of louver subframe.
2. Shim as required around louver subframe to provide proper clearance of I.D. Sub frame around louver & maintain square state of subframe to +/- 1/8" tolerance & vertically plumb side to side before attachment to clip angles. Tip - Use 24" bubble level to check plumb.



Step 04:

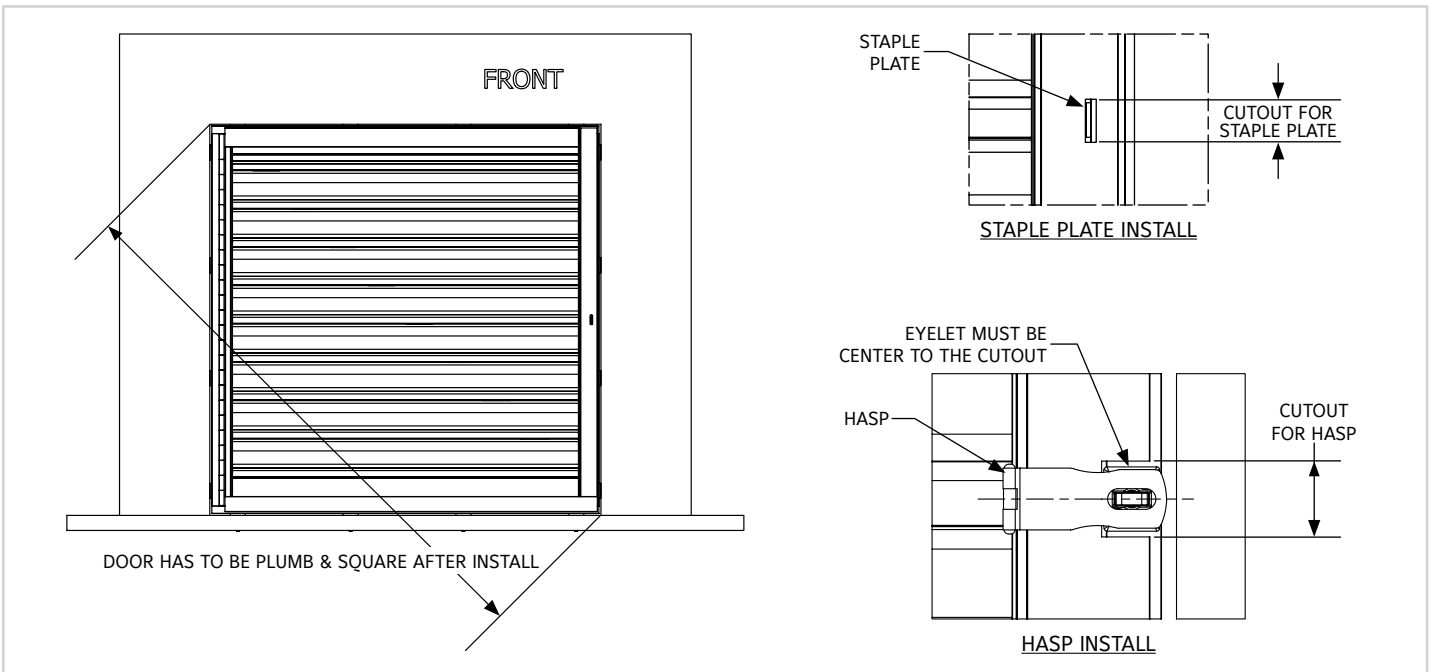
1. Once clearance & square tolerances are met, use holes provided in clip angle to drill pilot holes in jamb/head/sill.
2. Fasten clip angles to jamb/head/sill with fasteners as provided by Ruskin (ship loose kit).

STANDARD INSTALLATION METHOD



Step 05:

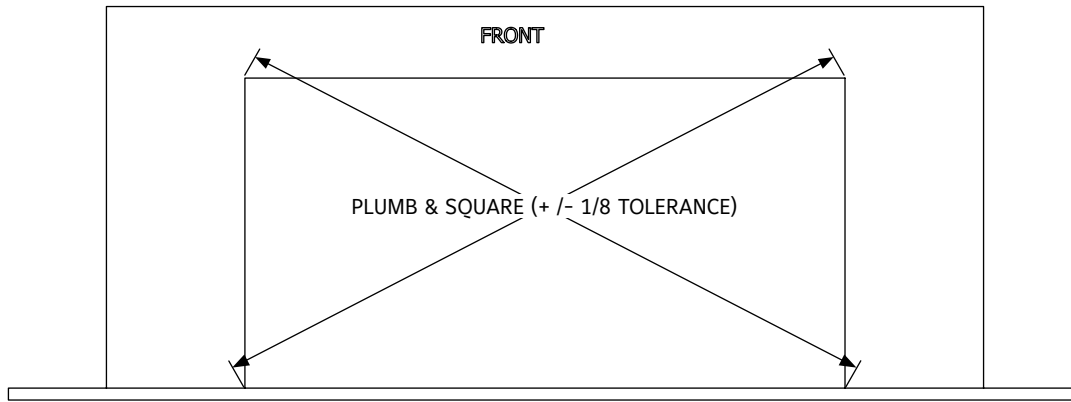
1. If you've selected padlock eye hasp, you will receive eyelet & a pair of screws in a ship loose kit or taped with the louver itself.
2. Now remove and discard the **Wooden Spacer** kept at the louver sill frame safely & Door must be closed to position and secure eyelet.
3. Fasten the eyelet to subframe using the screws & lock the HASP as needed.
4. After louver is secured, install backer rod & sealant around louver perimeter. (Sealant not provided by Ruskin).



Step 06:

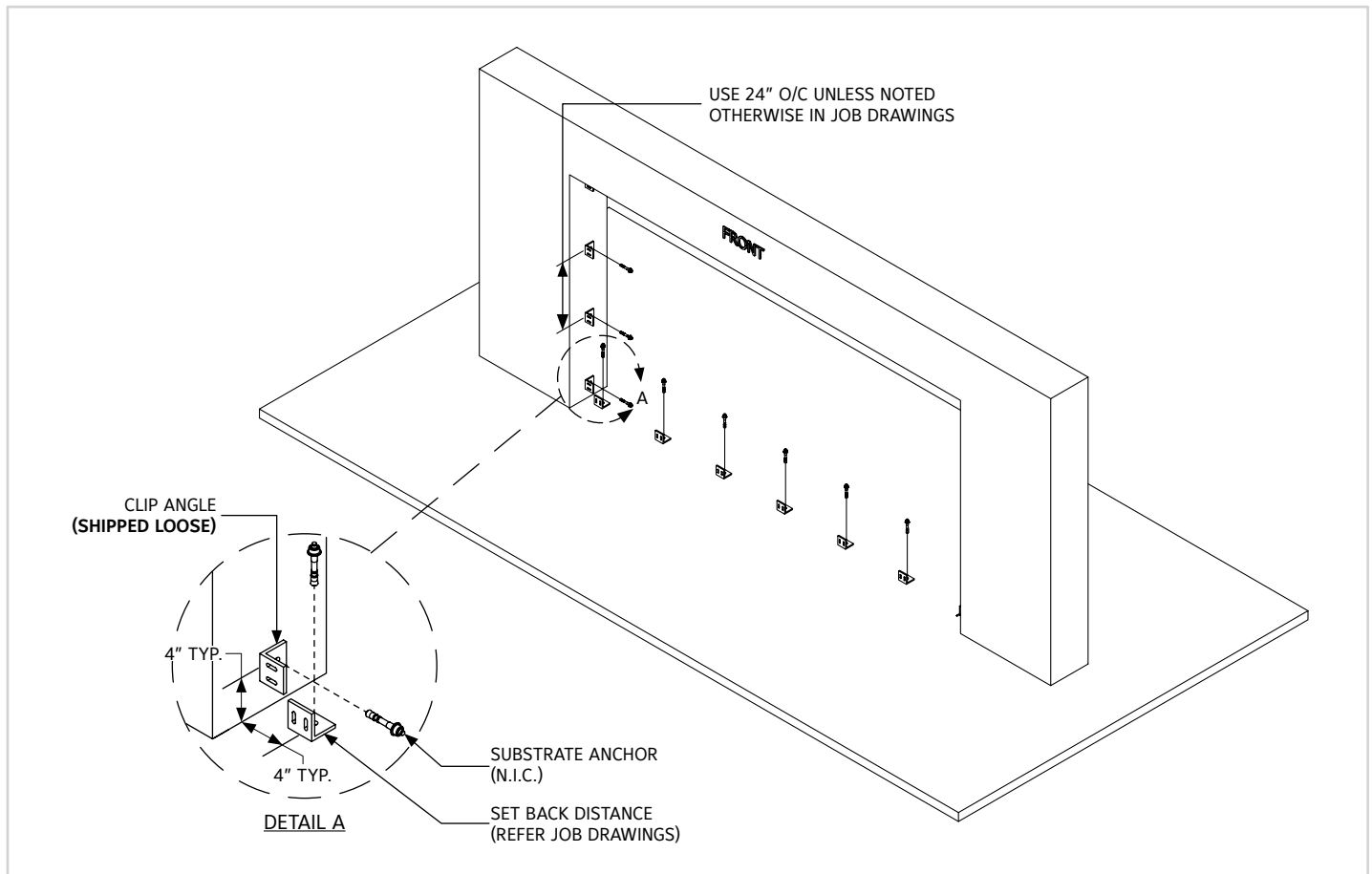
1. If you've selected staple plate, staple plates are factory attached.
2. After louver is secured, install backer rod & sealant around louver perimeter. (Sealant not provided by Ruskin).

2X1 MULTI SECTION INSTALLATION



Step 01:

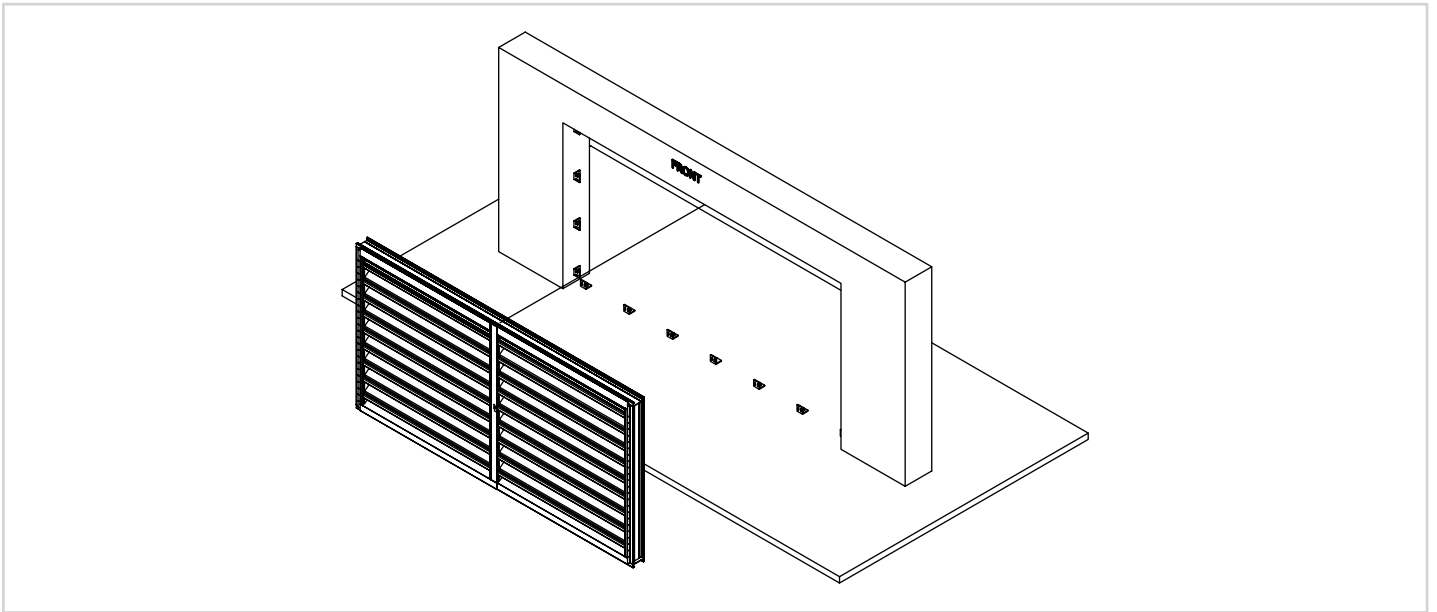
1. Inspect the openings that the louvers will be installed in. Verify that the openings are square & that the unit will fit prior to installation.



Step 02:

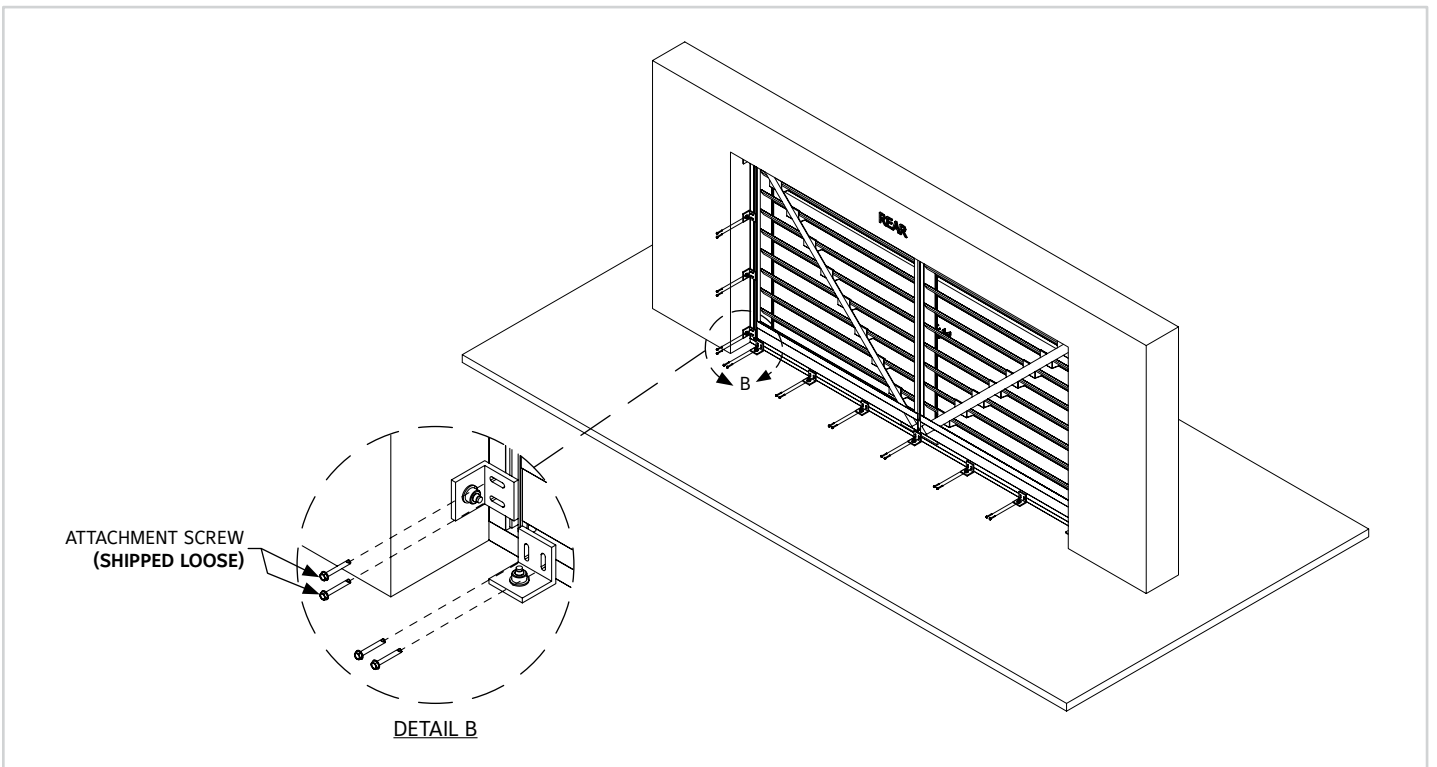
1. If you ordered installation angles, it will come in a kit that includes clip angles, fasteners etc.,
2. Refer to shop drawings to determine set back of clip angles on jamb/head/sill in relation to wall. (If shop drawings were requested).
3. Measure set back distance of clip angles from wall and drill holes into wall as needed.
4. Attach clip angles to wall with substrate fasteners. **(Ref detail A)** (Substrate fasteners not provided by Ruskin).

2X1 MULTI SECTION INSTALLATION



Step 03:

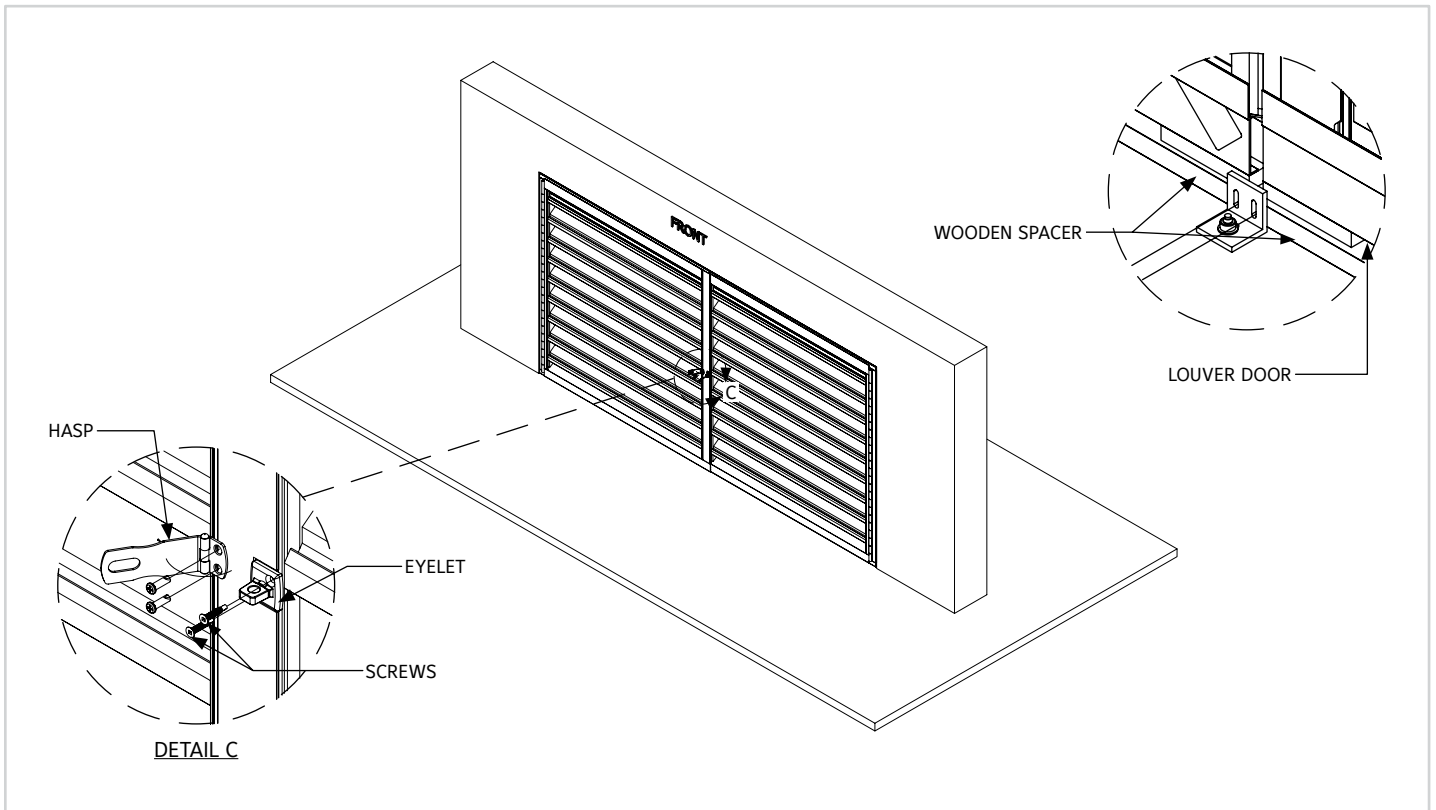
1. Position the louver in the opening so that the desired sealant joint will be maintained around the perimeter of louver subframe.
2. Shim as required around louver subframe to provide proper clearance of I.D. Sub frame around louver & maintain square state of subframe to $\pm 1/8$ " tolerance & vertically plumb side to side before attachment to clip angles. Tip - Use 24" bubble level to check plumb.



Step 04:

1. Once clearance & square tolerances are met, use holes provided in clip angle to drill pilot holes in jamb/head/sill.
2. Fasten clip angles to jamb/head/sill with fasteners as provided by Ruskin (ship loose kit).

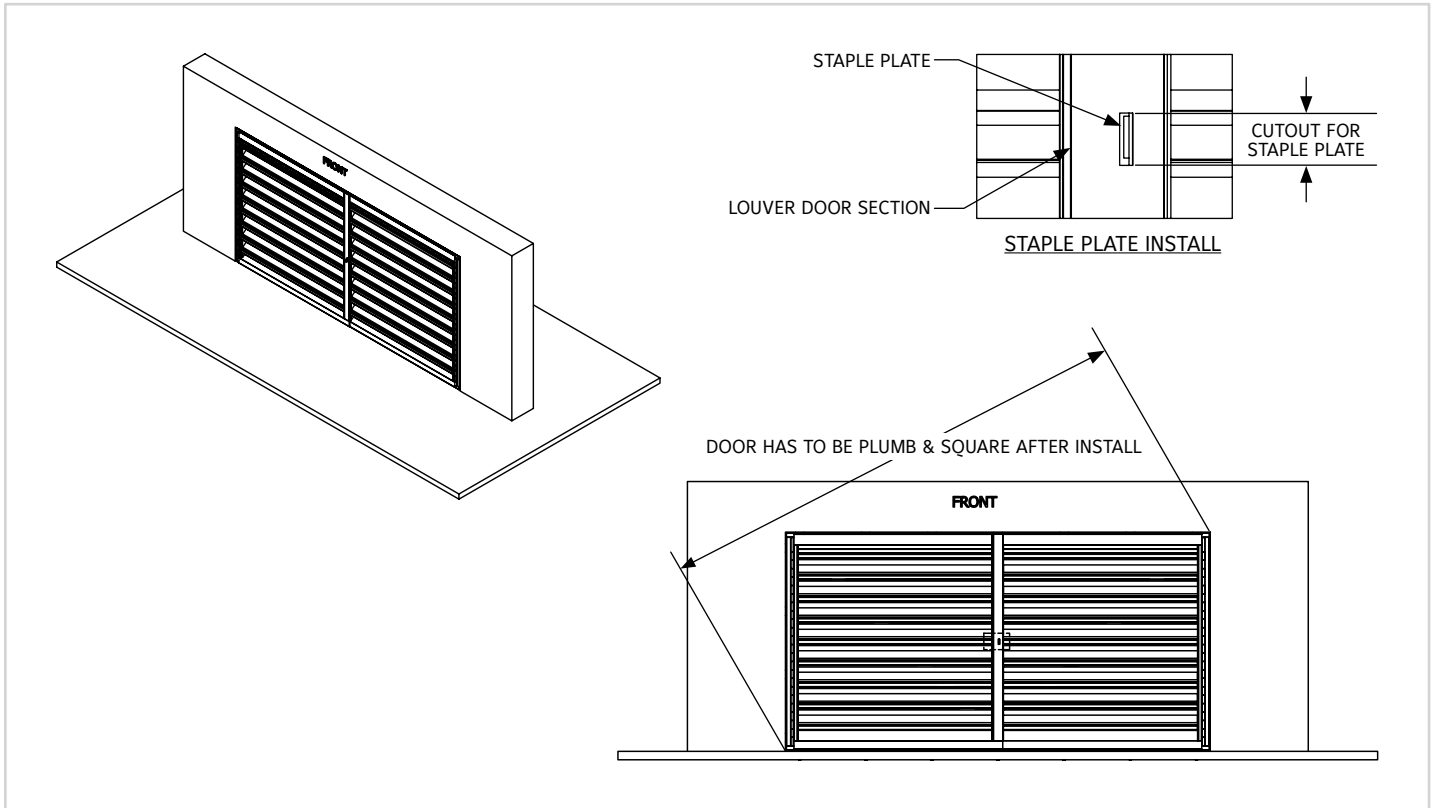
2X1 MULTI SECTION INSTALLATION



Step 05:

1. If you've selected padlock eye hasp, you will receive eyelet & a pair of screws in a ship loose kit or taped with the louver itself.
2. Now remove and discard the **Wooden Spacer** kept at the louver sill frame safely & Door must be closed to position and secure eyelet.
3. Fasten the eyelet to subframe using the screws & lock the HASP as needed.
4. After louver is secured, install backer rod & sealant around louver perimeter. (Sealant not provided by Ruskin).

2X1 MULTI SECTION INSTALLATION



Step 06:

1. If you've selected staple plate, staple plates are factory attached.
2. After louver is secured, install backer rod & sealant around louver perimeter. (Sealant not provided by Ruskin).

LINKS TO IMPORTANT DOCUMENTS

Document Title

Limited Warranty Document



3900 Doctor Greaves Road
Grandview, MO 64030
Website: www.Ruskin.com
Phone: (816) 761-7476