

FAST and PFMA

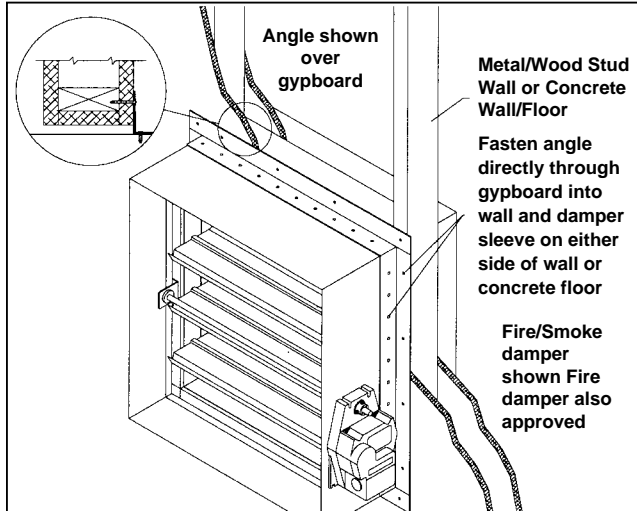


FIGURE 1

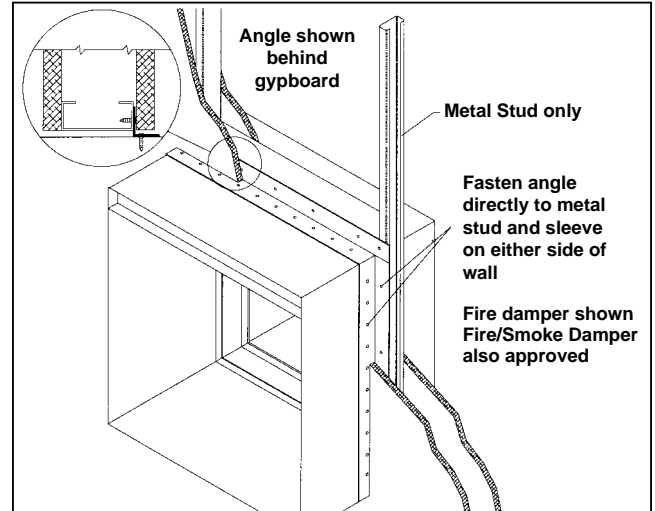


FIGURE 2

APPLICATION – WALLS AND CONCRETE FLOORS

Ruskin FAST and PFMA are 20 gauge steel mounting angles designed and approved for use specifically with Ruskin fire and fire/smoke dampers. Unlike conventional mounting angles that cannot be fastened together in the corners and ship separately from the dampers, the FAST and PFMA are:

- One piece angles (fastened together in the corners)
- Shipped loose around damper
- Provided with pre-punched sleeve fastener holes on 2" (51) centers.

The Ruskin FAST and PFMA make fire and fire/smoke damper installation easier and less costly.

FAST – One Side Angle (Fig 1 & Fig 2)

The Ruskin FAST angle is designed and UL approved for use with Ruskin 1 1/2 hour rated fire and combination fire/smoke dampers. An angle on "one side" is approved for opening sizes 90"w x 48"h (2286 x 1219) or 48"w x 90"h (1219 x 2286) in metal stud, wood stud walls or concrete/masonry walls and floors.

For one side angle installations the FAST must be fastened to the damper sleeve and partition in accordance with the damper basic installation instructions.

PFMA – Two Side Angles (Fig 3)

The Ruskin PFMA is designed and UL approved for use with Ruskin 1 1/2 or 3 hour fire and fire/smoke dampers when two angle installations are required or desired. PFMA are installed on both sides of the partition and fastened only to the damper sleeve in accordance with the damper basic installation instructions.

Dimensions shown in parentheses () indicate millimeters.

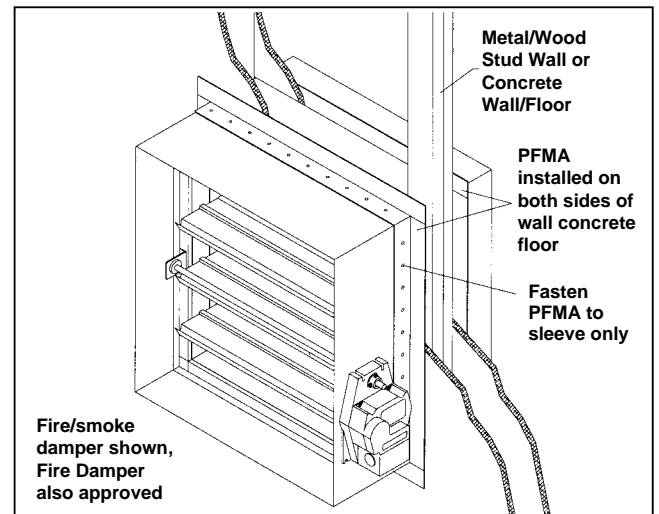


FIGURE 3

