

ELF211

Thin Line Stationary Louver
Extruded Aluminum



APPLICATION

The ELF211 is a 2" deep, extruded aluminum, mechanically fastened, thinline, stationary louver designed to protect air intake and exhaust opening on exterior walls.

STANDARD CONSTRUCTION

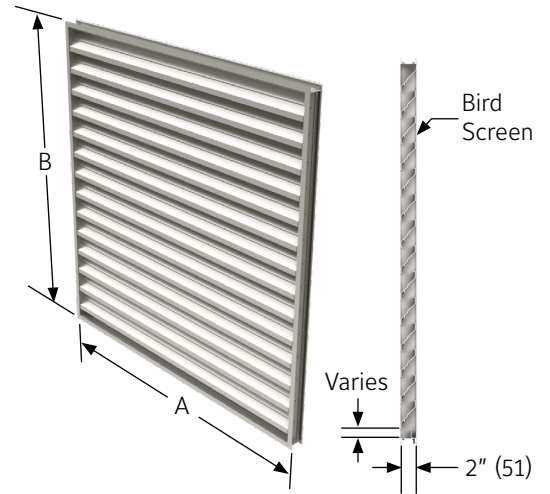
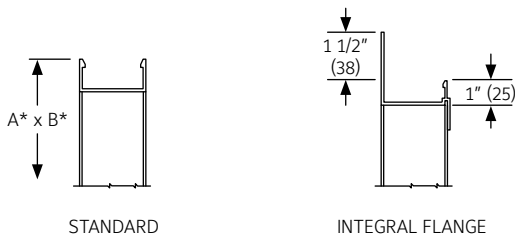
Frame	2" (51) deep 6063T6 extruded aluminum with .060" (1.5) nominal wall thickness. Caulking surfaces provided.
Blades	6063T6 extruded aluminum with .060" (1.5) nominal wall thickness. Blades are positioned at 45° angle and spaced approximately 3 3/16" (81) center to center.
Screen	3/4" x .051" (19 x 1.3) expanded, flattened aluminum bird screen in removable frame. Screen adds approximately 1/2" (13) to louver depth.
Finish	Mill.
Minimum Size	6"w x 10"h (152 x 254).
Approximate Shipping Weight	2 lbs. per sq. ft. (9.8 kg/m ²).
Maximum Size	Shall be 75 sq. ft. (7m ²) per section, not to exceed 120"w x 90"h (3048 x 2286) or 90"w x 120"h (2286 x 3048). Louvers larger than the maximum factory assembly size will require field assembly of smaller sections.
Supports	Louvers may be provided with rear mounted blade supports that increase overall louver depth depending on louver size, assembly configuration or windload.

Consult Ruskin for additional information.

FEATURES

- ▶ 37% Free Area
- ▶ Published performance ratings based on testing in accordance with AMCA Standard 500
- ▶ Aluminum construction for low maintenance and high resistance to corrosion

FRAME CONSTRUCTION



YEAR LIMITED
WARRANTY

ISO9001
CERTIFIED

VARIATIONS

Variations to the basic design of the louver are available at additional cost. They include:

- ▶ Extended sill
- ▶ Hinged frame
- ▶ Front or rear security bars
- ▶ Filter racks
- ▶ Installation angles
- ▶ A variety of bird and insect screens
- ▶ Optional finishes available at additional cost. Please see [Paint Finishes and Color Guide](#) and [Finish Type Model Chart](#) for more details. Contact louversales@ruskin.com with questions

Consult Ruskin for other special requirements.

NOTES:

- Dimensions in inches, parenthesis () indicate millimeters.
- Units can be furnished actual size or with size deducts.

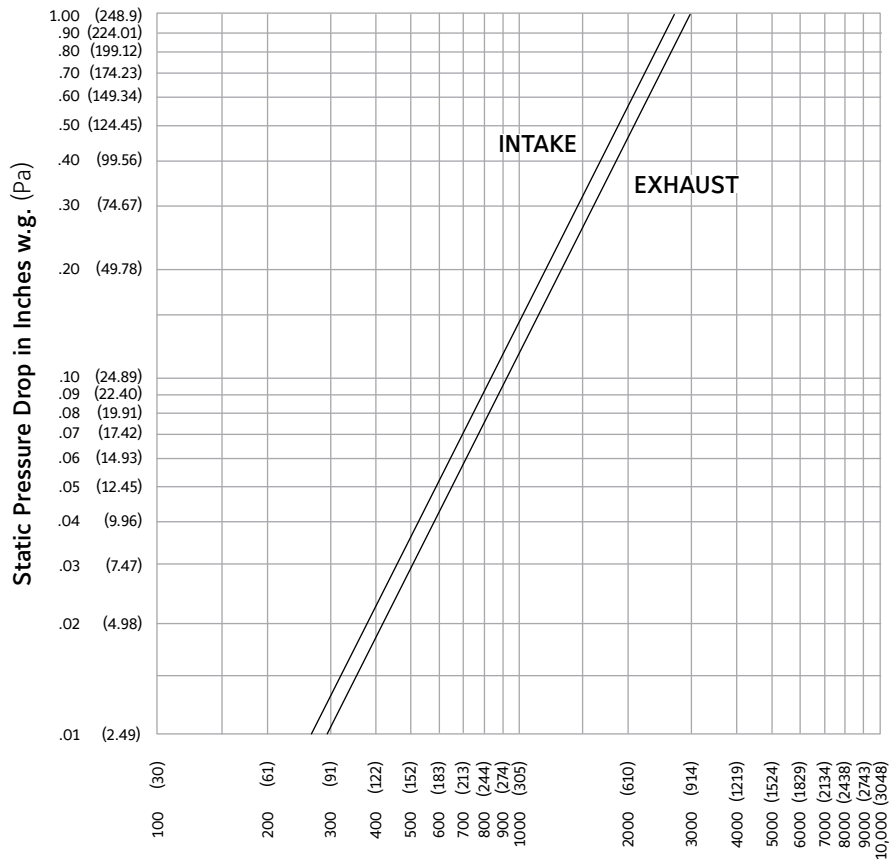
FREE AREA GUIDE

Free Area Guide shows free area in ft² and m² for various sizes of ELF211.

Width – Inches and Meters

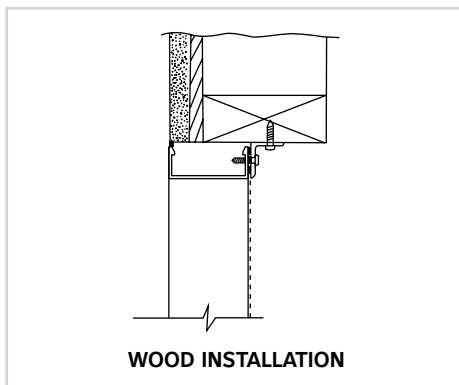
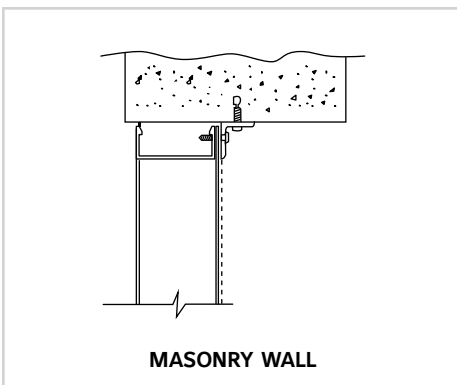
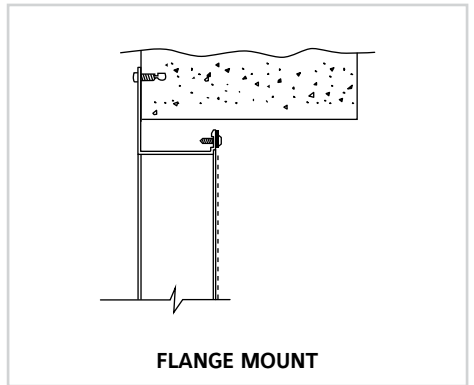
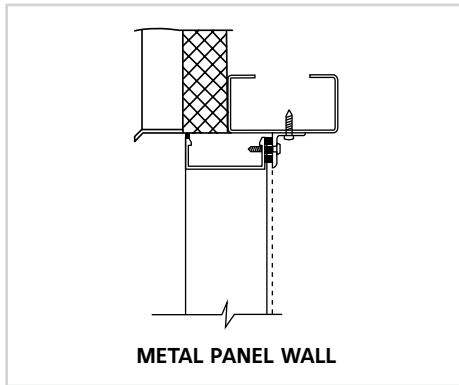
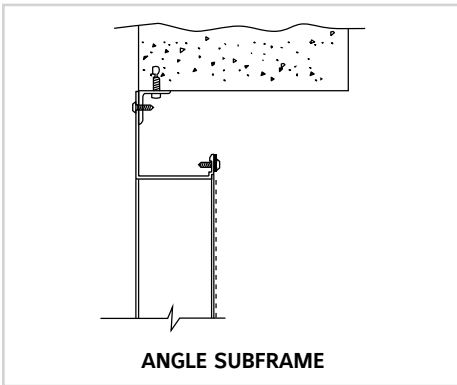
HEIGHT	12	18	24	30	36	42	48	54	60	66	72	78	84	90	96	102	108	114	120
	0.30	0.45	0.60	0.75	0.90	1.05	1.20	1.35	1.50	1.65	1.80	1.95	2.10	2.25	2.40	2.55	2.70	2.85	3.00
12 0.30	0.23 0.02	0.36 0.03	0.49 0.05	0.62 0.06	0.75 0.07	0.88 0.08	1.01 0.09	1.15 0.11	1.28 0.12	1.41 0.13	1.54 0.14	1.67 0.16	1.80 0.17	1.93 0.18	2.06 0.19	2.19 0.20	2.32 0.22	2.45 0.23	2.59 0.24
18 0.45	0.41 0.04	0.64 0.06	0.87 0.08	1.10 0.10	1.34 0.12	1.57 0.15	1.80 0.17	2.03 0.19	2.26 0.21	2.50 0.23	2.73 0.25	2.96 0.28	3.19 0.30	3.43 0.32	3.66 0.34	3.89 0.36	4.12 0.38	4.36 0.41	4.59 0.43
24 0.60	0.64 0.06	1.01 0.09	1.38 0.13	1.74 0.16	2.11 0.20	2.48 0.23	2.85 0.27	3.21 0.30	3.58 0.33	3.95 0.37	4.31 0.40	4.68 0.44	5.05 0.47	5.42 0.50	5.78 0.54	6.15 0.57	6.52 0.61	6.89 0.64	7.25 0.67
30 0.75	0.82 0.08	1.29 0.12	1.76 0.16	2.23 0.21	2.69 0.25	3.16 0.29	3.63 0.34	4.10 0.38	4.67 0.43	5.04 0.47	5.51 0.51	5.97 0.56	6.44 0.60	6.91 0.64	7.38 0.69	7.85 0.73	8.32 0.77	8.79 0.82	9.32 0.86
36 0.90	1.00 0.09	1.57 0.15	2.14 0.20	2.71 0.25	3.28 0.31	3.85 0.36	4.42 0.41	4.99 0.46	5.56 0.52	6.13 0.57	6.70 0.62	7.27 0.68	7.84 0.73	8.41 0.78	8.98 0.84	9.55 0.89	10.12 0.94	10.69 0.99	11.26 1.05
42 1.05	1.17 0.11	1.85 0.17	2.52 0.23	3.19 0.30	3.86 0.36	4.53 0.42	5.20 0.48	5.87 0.55	6.55 0.61	7.22 0.67	7.89 0.73	8.56 0.80	9.23 0.86	9.90 0.92	10.57 0.98	11.24 1.05	11.92 1.11	12.59 1.17	13.26 1.23
48 1.20	1.35 0.13	2.12 0.20	2.90 0.27	3.67 0.34	4.44 0.41	5.22 0.49	5.99 0.56	6.76 0.63	7.53 0.70	8.31 0.77	9.08 0.84	9.85 0.92	10.62 0.99	11.40 1.06	12.17 1.13	12.94 1.20	13.72 1.28	14.49 1.35	15.26 1.42
54 1.35	1.53 0.14	2.40 0.22	3.28 0.31	4.15 0.39	5.03 0.47	5.90 0.55	6.77 0.63	7.65 0.71	8.52 0.79	9.40 0.87	10.27 0.96	11.14 1.04	12.02 1.12	12.89 1.20	13.77 1.28	14.64 1.36	15.51 1.44	16.39 1.52	17.26 1.61
60 1.50	1.71 0.16	2.68 0.25	3.66 0.34	4.63 0.43	5.61 0.52	6.58 0.61	7.56 0.70	8.53 0.79	9.51 0.88	10.49 0.98	11.46 1.07	12.44 1.16	13.41 1.25	14.39 1.34	15.36 1.43	16.34 1.52	17.31 1.61	18.29 1.70	19.26 1.79
66 1.65	1.94 0.18	3.05 0.28	4.16 0.39	5.27 0.49	6.38 0.59	7.49 0.70	8.61 0.80	9.72 0.90	10.83 1.01	11.94 1.11	13.05 1.21	14.16 1.32	15.27 1.42	16.38 1.52	17.49 1.63	18.60 1.73	19.71 1.83	20.82 1.94	21.93 2.04
72 1.80	2.12 0.20	3.33 0.31	4.54 0.42	5.76 0.54	6.97 0.65	8.18 0.76	9.39 0.87	10.60 0.99	11.81 1.10	13.03 1.21	14.24 1.32	15.45 1.44	16.66 1.55	17.87 1.66	19.08 1.77	20.30 1.89	21.51 2.00	22.72 2.11	23.93 2.23
78 1.95	2.30 0.21	3.61 0.34	4.92 0.46	6.24 0.58	7.55 0.70	8.86 0.82	10.18 0.95	11.49 1.07	12.80 1.19	14.12 1.31	15.43 1.43	16.74 1.56	18.06 1.68	19.37 1.80	20.68 1.92	21.99 2.05	23.31 2.17	24.62 2.29	25.93 2.41
84 2.10	2.48 0.23	3.89 0.36	5.30 0.49	6.72 0.62	8.13 0.76	9.55 0.89	10.96 1.02	12.38 1.15	13.79 1.28	15.21 1.41	16.62 1.55	18.03 1.68	19.45 1.81	20.86 1.94	22.28 2.07	23.69 2.20	25.11 2.34	26.52 2.47	27.94 2.60
90 2.25	2.65 0.25	4.17 0.39	5.68 0.53	7.20 0.67	8.72 0.81	10.23 0.95	11.75 1.09	13.26 1.23	14.78 1.37	16.30 1.52	17.81 1.66	19.33 1.80	20.84 1.94	22.36 2.08	23.87 2.22	25.39 2.36	26.91 2.50	28.42 2.64	29.94 2.78
96 2.40	2.83 0.26	4.45 0.41	6.06 0.56	7.68 0.71	9.30 0.86	10.92 1.02	12.53 1.17	14.15 1.32	15.77 1.47	17.39 1.62	19.00 1.77	20.62 1.92	22.24 2.07	23.85 2.22					
102 2.55	3.01 0.28	4.73 0.44	6.44 0.60	8.16 0.76	9.88 0.92	11.60 1.08	13.32 1.24	15.04 1.40	16.76 1.56	18.47 1.72	20.19 1.88	21.91 2.04	23.63 2.20	25.35 2.36					
108 2.70	3.18 0.30	5.00 0.47	6.82 0.63	8.64 0.80	10.46 0.97	12.28 1.14	14.10 1.31	15.92 1.48	17.74 1.65	19.56 1.82	21.38 1.99	23.20 2.16	25.02 2.33	26.84 2.50					
114 2.85	3.42 0.32	5.38 0.50	7.33 0.68	9.29 0.86	11.24 1.05	13.20 1.23	15.15 1.41	17.11 1.59	19.06 1.77	21.02 1.95	22.97 2.14	24.92 2.32	26.88 2.50	28.83 2.68					
120 3.00	3.60 0.33	5.65 0.53	7.71 0.72	9.77 0.91	11.82 1.10	13.88 1.29	15.94 1.48	17.99 1.67	20.05 1.86	22.10 2.06	24.16 2.25	26.22 2.44	28.27 2.63	30.33 2.82					

PRESSURE DROP

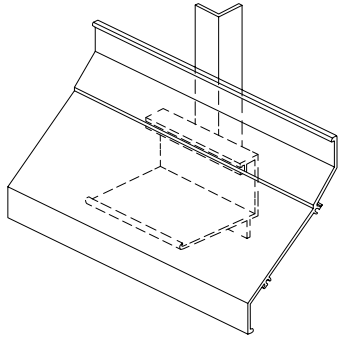


Free Area Velocity in feet (meters) per minute through free area.

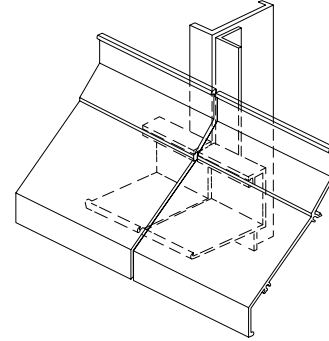
TYPICAL INSTALLATION DETAILS



STANDARD CONSTRUCTION DETAILS



HIDDEN VERTICAL BLADE SUPPORT (HVBS)



CONTINUOUS BLADE APPEARANCE AT MULTIPLE SECTION JUNCTIONS

i LINKS TO IMPORTANT DOCUMENTS

Document Title

Paint Finishes and Color Guide

Limited Warranty Document



3900 Doctor Greaves Road
Grandview, MO 64030
Website: www.ruskin.com
Phone: (816) 761-7476