

ELF22V

Stationary Louver

Extruded Aluminum



APPLICATION

The ELF22V is a 2" stationary louver with a 60 degree blade angle. It has sightproof chevron blades which provide privacy, conceal equipment, prevent vandalism, and act as a safety barrier to dangerous areas. This model is corrosion resistant with aluminum construction and outstanding durability and low maintenance.

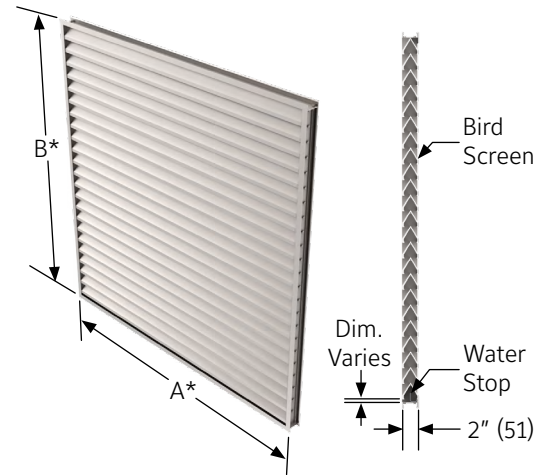
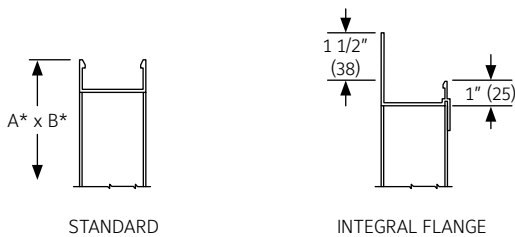
STANDARD CONSTRUCTION

Frame	6063T6 extruded aluminum with .060" (1.5) nominal wall thickness.
Blades	6063T6 extruded aluminum with .060" (1.5) nominal wall thickness. Chevron blades are spaced approximately 2" (51) center to center. Blades positioned at 60° angle.
Screen	5/8" x .040" (16 x 1) expanded, flattened aluminum bird screen. Screen adds approximately 1/2" (13) to louver depth.
Finish	Mill.
Minimum Size	8"w x 8"h (203 x 203).
Approximate Shipping Weight	4 lbs. per sq. ft. (20 kg/m ²).
Maximum Size	48"w x 96"h (1220 x 2438).

FEATURES

- ▶ 28% free area (4' x 4' size)
- ▶ Corrosion resistant, aluminum construction
- ▶ Outstanding durability and low maintenance
- ▶ Sightproof chevron blades which provide privacy, conceal equipment, prevent vandalism, and act as a safety barrier to dangerous areas

FRAME CONSTRUCTION



5
YEAR LIMITED
WARRANTY

ISO9001
CERTIFIED

VARIATIONS

Variations to the basic design of the louver are available at additional cost. They include:

- ▶ Extended sill
- ▶ Flanged frame
- ▶ Hinged frame
- ▶ Front or rear security bars
- ▶ Filter racks
- ▶ A variety of bird and insect screens
- ▶ Selection of finishes: baked enamel (modified fluoropolymer), epoxy, integral color and clear anodize, Pearledize and Kynar

Consult Ruskin for other special requirements.

Note:

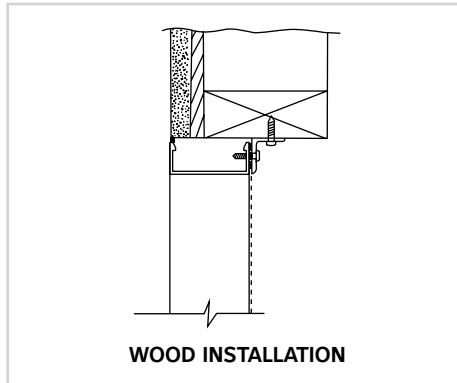
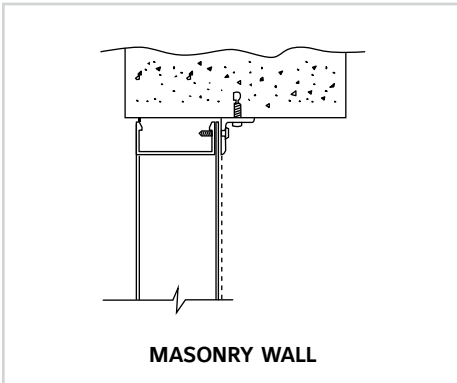
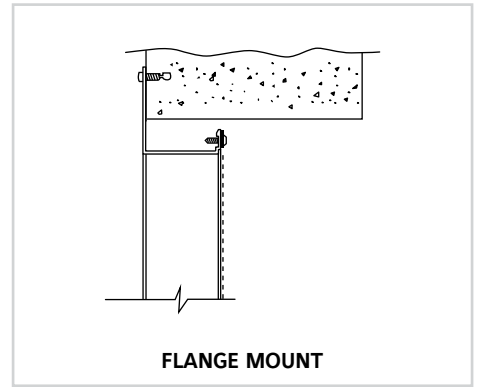
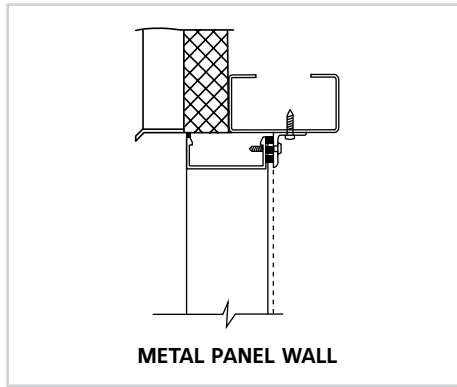
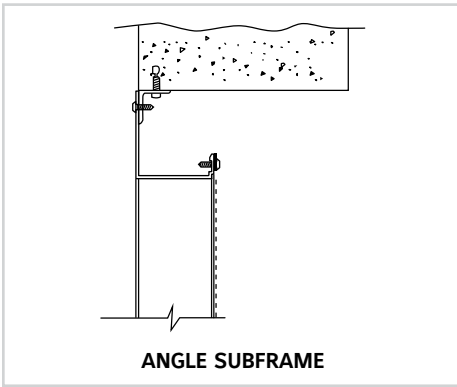
- Dimensions in inches, parenthesis () indicate millimeters.
- Units furnished 1/4" (6) smaller than given opening dimensions.

FREE AREA GUIDE

Free Area Guide shows free area in ft² and m² for various sizes of ELF22V.

		Width – Inches and Meters						
		12	18	24	30	36	42	48
Height – Inches and Meters	12	0.18	0.28	0.39	0.49	0.60	0.70	0.80
	0.30	0.02	0.03	0.04	0.05	0.06	0.07	0.07
	18	0.32	0.50	0.68	0.86	1.04	1.22	1.47
	0.45	0.03	0.05	0.06	0.08	0.10	0.11	0.13
	24	0.45	0.71	0.97	1.23	1.49	1.75	2.01
	0.60	0.04	0.07	0.09	0.11	0.14	0.16	0.19
	30	0.59	0.93	1.26	1.60	1.93	2.27	2.61
	0.75	0.06	0.09	0.12	0.15	0.18	0.21	0.24
	36	0.72	1.14	1.55	1.97	2.38	2.79	3.21
	0.90	0.07	0.11	0.14	0.18	0.22	0.326	0.30
	42	0.86	1.35	1.84	2.34	2.83	3.32	3.81
	1.05	0.08	0.13	0.17	0.22	0.26	0.31	0.35
	48	1.00	1.57	2.13	2.70	3.27	3.84	4.41
	1.20	0.09	0.15	0.20	0.25	0.30	0.36	0.41
	54	1.13	1.78	2.43	3.07	3.72	4.37	5.01
	1.35	0.11	0.17	0.23	0.29	0.35	0.41	0.47
60	1.27	1.99	2.72	3.44	4.17	4.89	5.61	
1.50	0.12	0.19	0.25	0.32	0.39	0.45	0.52	
66	1.40	2.21	3.01	3.81	4.61	5.41	6.22	
1.65	0.13	0.21	0.28	0.35	0.43	0.50	0.58	
72	1.54	2.42	3.30	4.18	5.06	5.94	6.82	
1.80	0.14	0.23	0.31	0.39	0.47	0.55	0.63	
78	1.68	2.63	3.59	4.55	5.50	6.46	7.42	
1.95	0.16	0.24	0.33	0.42	0.51	0.60	0.69	
84	1.81	2.85	3.88	4.92	5.95	6.99	8.02	
2.10	0.17	0.27	0.36	0.46	0.55	0.65	0.75	
90	1.95	3.06	4.17	5.28	6.40	7.51	8.62	
2.25	0.18	0.28	0.39	0.49	0.60	0.70	0.80	
96	2.08	3.27	4.46	5.65	6.84	8.03	9.22	
2.40	0.19	0.30	0.41	0.53	0.64	0.75	0.86	

TYPICAL INSTALLATION DETAILS



SUGGESTED SPECIFICATION

Furnish and install louvers as hereinafter specified where shown on plans or as described in schedules. Louvers shall be "Stationary" type entirely contained within a 2" (51) frame. Louver components (heads, jamps, sills, blades & mullions) shall be factory assembled by the louver manufacturer. Louver design shall incorporate structural supports required to withstand a wind load of 20 PSF (.96kPa) - specifier may substitute any loading required).

Louvers shall be Ruskin Model ELF22V extruded 6063T6 aluminum alloy construction as follows:

Frame: 0.060" (1.5) wall thickness.

Blades: 0.060" (1.5) wall thickness chevron blades on approximately 2" (51) centers.

Screen: 5/8" x .040" (16 x 1) expanded, flattened aluminum bird screen. Screen adds approximately 1/2" (13) to louver depth.

i LINKS TO IMPORTANT DOCUMENTS

Document Title
Paint Finishes and Color Guide
Limited Warranty Document



3900 Doctor Greaves Road
Grandview, MO 64030
Website: www.ruskin.com
Phone: (816) 761-7476