

# ADC(H)12F, ADC(H)F & ADC(H)W22F

## Fiberglass Ductwork Access Doors



### APPLICATION

These access doors feature easy-bend tabs for quick, simple installation wherever fiberglass duct access is needed. Manual locks assure tight door closure and the continuous piano-type hinge models operate smoothly. A "see through" panel in each ADCW and ADHW permits visual duct inspection without door removal.

### STANDARD CONSTRUCTION

<b>Frame</b>	22 gage galvanized steel with seal and easy-bend tabs
<b>Door</b>	24 gage galvanized steel
<b>Hinge (ADH models only)</b>	Plated steel continuous piano type
<b>Cam locks</b>	Plated steel - see note 4 for quantity per door
<b>Seals</b>	Foam gasket
<b>Insulation</b>	<b>Models ADC12F and ADH12H</b> - 1/2" (12) Foil faced foam <b>Models ADC22F and ADH22F</b> - 1" (25) Fiberglass

### DOOR CONSTRUCTION

<b>ADC12F</b>	Removable, single skin
<b>ADH12F</b>	Hinged, single skin
<b>ADC22F</b>	Removable, double skin
<b>ADH22F</b>	Hinged, double skin
<b>ADCW22F</b>	Removable, double skin with round transparent plexiglass window
<b>ADHW22F</b>	Hinged, double skin with round transparent plexiglass window

### DOOR SIZES

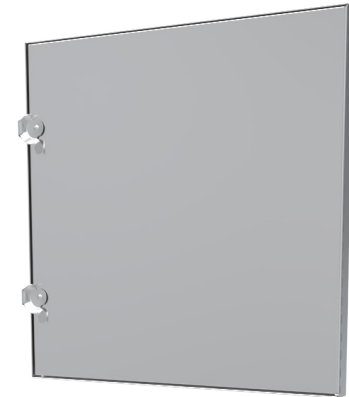
<b>Minimum size</b>	6"w x 6"h (152 x 152)
<b>Maximum size</b>	24"w x 24"h (610 x 610)

### MAXIMUM OPERATIONAL RATINGS

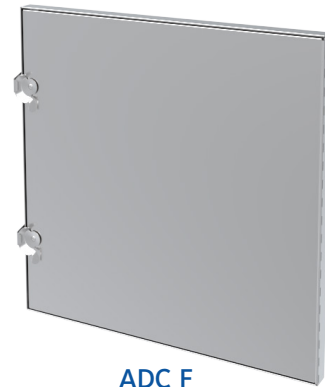
<b>Maximum Static Pressure</b>	Double skin access doors have been tested to 6" w.g. Leakage increases as system pressure increases. Refer to chart on page 2
--------------------------------	---

### INSTALLATION

Outside frame size fits hole 1 1/8" (28) smaller than door size



ADC H



ADC F



### VARIATIONS

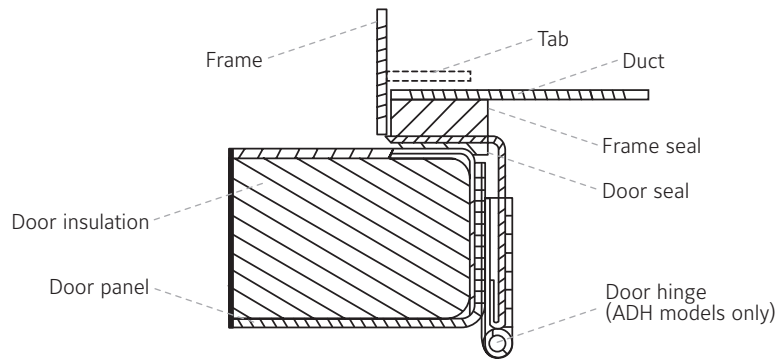
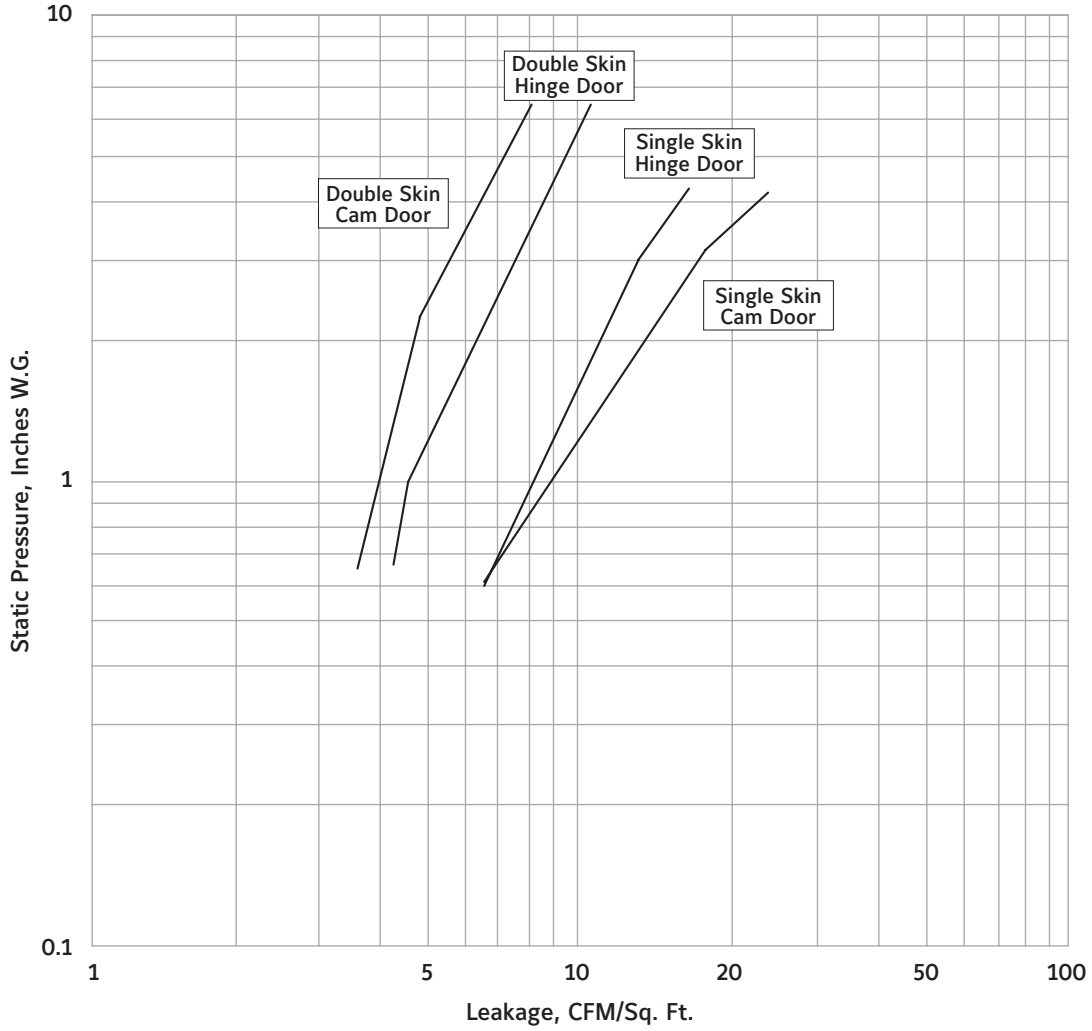
- ▶ Additional Cam Locks
- ▶ Stainless Steel Cam Locks
- ▶ Brass Plated Cam Locks
- ▶ Ventlock 100 latches
- ▶ 304 Stainless steel construction
- ▶ Aluminum construction
- ▶ 20 gage (.9) door panels
- ▶ Security chain
- ▶ Stainless Steel hinge
- ▶ Wire reinforced glass window
- ▶ Neoprene door seal
- ▶ Intermediate sizes between 6" x 6" (152 x 152) and 24" x 24" (610 x 610)

#### NOTE:

1. Dimensions shown in parenthesis ( ) indicate millimeters.
2. Access doors furnished actual size.
3. For doors larger than 24" x 24" (610 x 610) see GPAD.
4. ADH Models - Doors 16" (406) and under have one lock, doors over 16" (406) have two locks.  
ADC Models - Doors 16" (406) and under have two locks, doors over 16" (406) have four locks.

# PERFORMANCE DATA

## 12" x 12" ACCESS DOOR



DOOR DETAIL



3900 Doctor Greaves Road  
 Kansas City, MO 64030  
 Website: [www.ruskin.com](http://www.ruskin.com)  
 Phone: (816) 761-7476