

GFL800D

Stationary Louver

Extruded Aluminum



APPLICATION

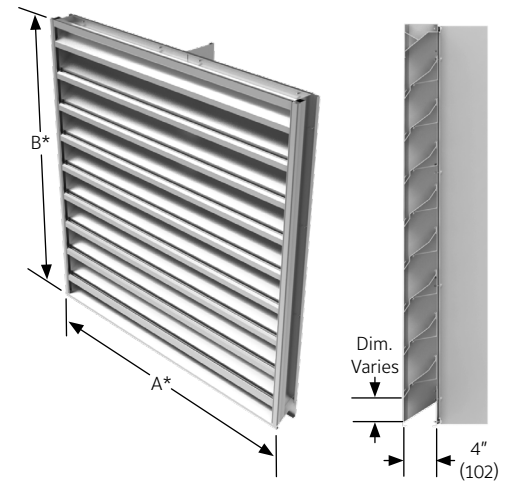
The GFL800D is a 4" deep extruded aluminum drainable stationary louver with blades at 45° for optimal ventilation.

STANDARD CONSTRUCTION

Frame	4" (102) deep, 6063-T6 extruded aluminum with 0.80" (2) nominal wall thickness for sill and jambs and 0.094"(2.3) nominal wall thickness for the head.
Blades	6063T6 extruded aluminum with .080" (2.0) nominal wall thickness. Drainable blades are positioned at 45° angle and spaced approximately 5" (127) center to center.
Screen	5/8" x 0.40" (16x1) expanded, flattened aluminum bird screen in removable frame. Screen adds approximately 1/2" (13) to louver depth.
Finish	Mill.
Installation Angles	2" x 2"x 1/4" x 2" long aluminum clip angles with holes and two #10 self drilling screws (clip to louver) provided loose (clip to wall fasteners not included).
Minimum Size	12"w x 12"h (305 x 305).
Maximum Size	60"w x 60"h (1524 x 1524).
Approximate Shipping Weight	4 lbs./ft. ² (20 kg/m ²).

FEATURES

- ▶ 45% Free Area
- ▶ Weather protection capability
- ▶ Drainable blades
- ▶ Extruded aluminum construction
- ▶ Tested in accordance to AMCA 500-L
- ▶ Welded Construction



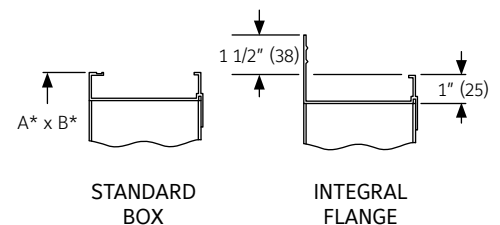
5
YEAR LIMITED
WARRANTY

ISO9001
CERTIFIED

VARIATIONS

- ▶ Extended sill
- ▶ Integral Flange Frame
- ▶ 1/2" x 0.063" mesh bird screen
- ▶ 18-16 mesh insect screen
- ▶ Optional finishes available at additional cost. Please see [Paint Finishes and Color Guide](#) and [Finish Type Model Chart](#) for more details. Contact louversales@ruskin.com with questions. Consult Ruskin for other special requirements.

FRAME CONSTRUCTION



NOTES:

- Dimensions in inches, parenthesis () indicate millimeters.
- Units can be furnished actual size or with size deducts.

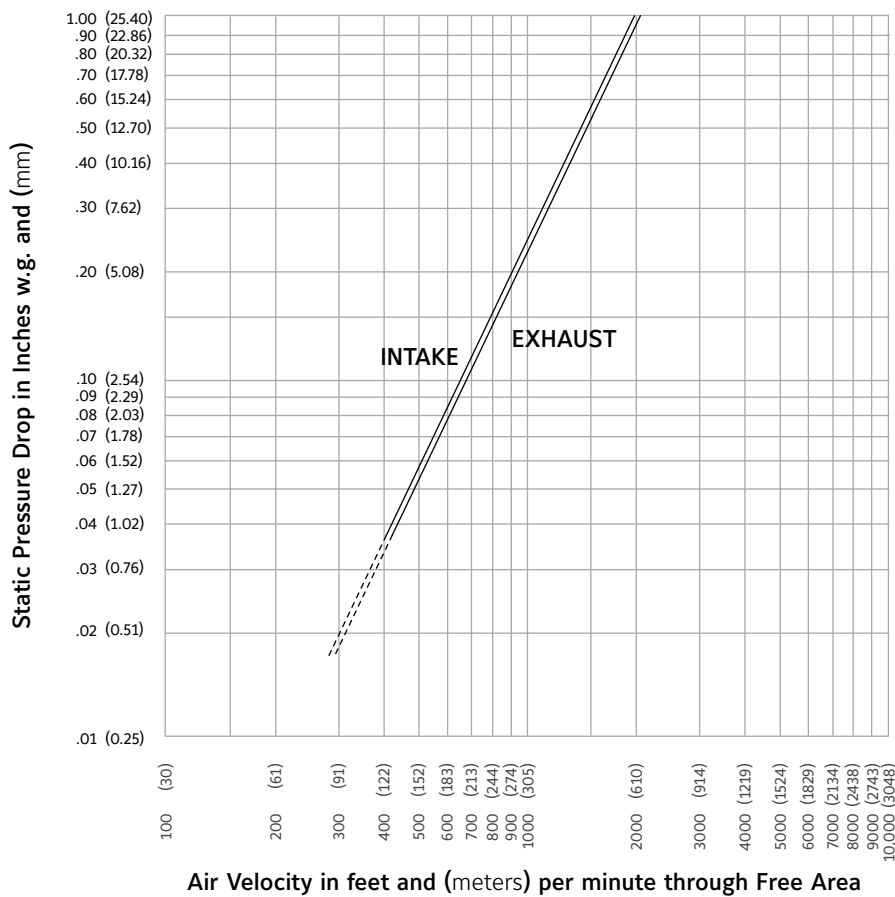
FREE AREA GUIDE

Free Area Guide shows free area in ft² and m² for various sizes of GFL800D.

Width – Inches and Meters

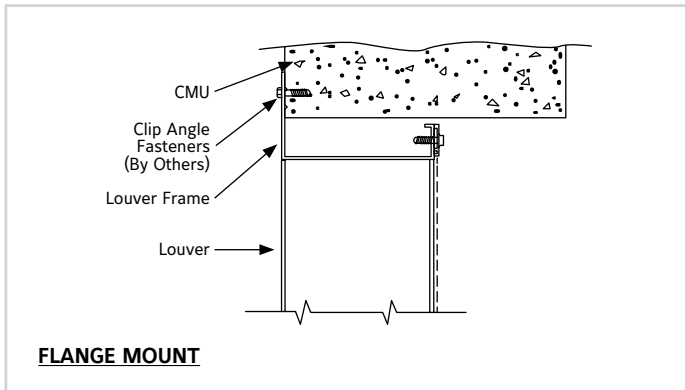
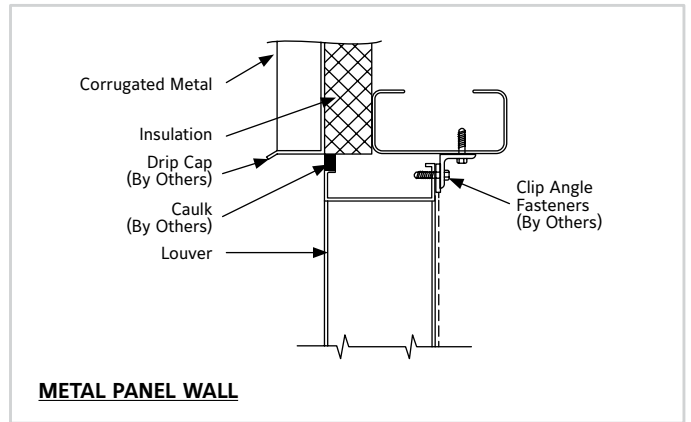
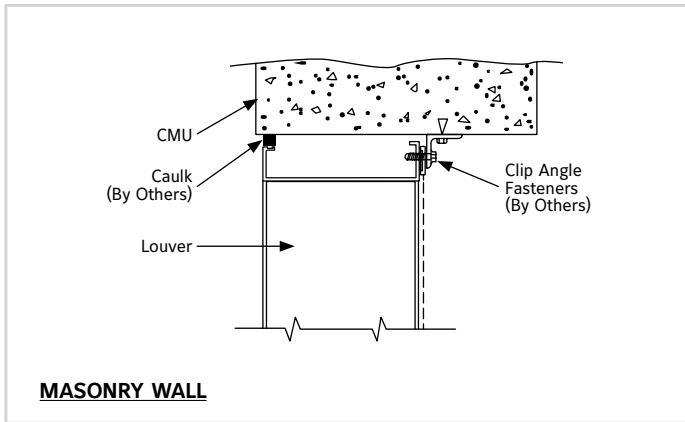
	12	18	24	30	36	42	48	54	60	
	0.30	0.45	0.60	0.75	0.90	1.05	1.20	1.35	1.50	
Height – Inches and Meters	12	0.34	0.54	0.74	0.94	1.14	1.34	1.54	1.74	1.94
	0.30	0.03	0.05	0.07	0.09	0.11	0.12	0.14	0.16	0.18
	18	0.60	0.96	1.31	1.67	2.02	2.38	2.74	3.09	3.45
	0.45	0.06	0.09	0.12	0.16	0.19	0.22	0.25	0.29	0.32
	24	0.86	1.37	1.89	2.40	2.91	3.42	3.93	4.44	4.95
	0.60	0.08	0.13	0.18	0.22	0.27	0.32	0.37	0.41	0.46
	30	1.08	1.72	2.36	2.99	3.63	4.27	4.91	5.55	6.19
	0.75	0.10	0.16	0.22	0.28	0.34	0.40	0.46	0.52	0.58
	36	1.34	2.13	2.93	3.72	4.52	5.31	6.10	6.90	7.69
	0.90	0.12	0.20	0.27	0.35	0.42	0.49	0.57	0.64	0.72
42	1.60	2.55	3.50	4.45	5.40	6.35	7.30	8.25	9.20	
1.05	0.15	0.24	0.33	0.41	0.50	0.59	0.68	0.77	0.86	
48	1.86	2.97	4.07	5.18	6.28	7.39	8.49	9.60	10.70	
1.20	0.17	0.28	0.38	0.48	0.58	0.69	0.79	0.89	1.00	
54	2.13	3.39	4.65	5.91	7.17	8.43	9.69	10.95	12.21	
1.35	0.20	0.32	0.43	0.55	0.67	0.78	0.90	1.02	1.14	
60	2.39	3.80	5.22	6.64	8.05	9.47	10.88	12.30	13.71	
1.50	0.22	0.35	0.49	0.62	0.75	0.88	1.01	1.14	1.28	

PRESSURE DROP



Ratings do not include the effect of a bird screen.

SUGGESTED INSTALLATION DETAILS



NOTES:
Standard clip angle installation is 4" from ends and 24" C-C max on jambs Head and Sill
required clip angles at 24" C-C Max.

i LINKS TO IMPORTANT DOCUMENTS

Document Title

[Paint Finishes and Color Guide](#)

[Limited Warranty Document](#)



3900 Doctor Greaves Road
Grandview, MO 64030
Website: www.ruskin.com
Phone: (816) 761-7476