

RUS-M120(-S) Electric 120 Volt Control Damper & Louver Actuator

DIRECT COUPLED SPRING RETURN

DESCRIPTION

Ruskin model RUS-M120(-S) electric On/Off spring return actuator designed for factory mounting on dampers and operable louvers. Actuators can be mounted directly to a damper or louver shaft from 5/16 to 5/8 inch (8 to 16 mm) diameter with a universal clamp. An optional line voltage auxiliary switch indicates an end-stop position or performs switching functions within the field selected adjustable 0° to 90° rotation range.

FEATURES

- Designed specifically to operate damper and operable louver applications up to the square footage face area listed below.
- Reversible mounting design simplifies installation and enables the actuator to be spring return in either direction.
- Electronic stall detection through entire rotation range extends life by deactivating the motor when an overload condition is detected.
- 5 Year factory warranty



RUS-M120(-S) Electric Spring-Return Actuator

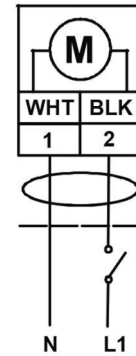
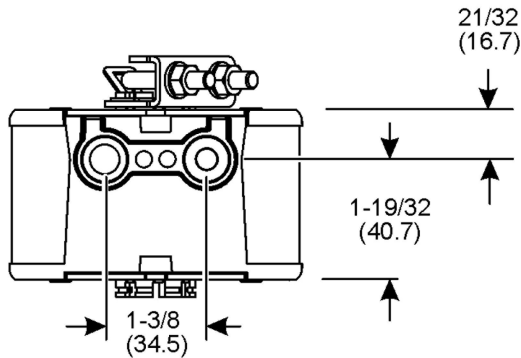
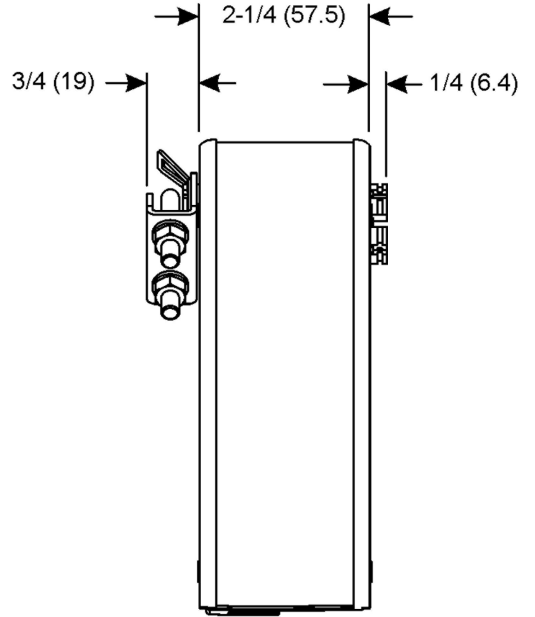
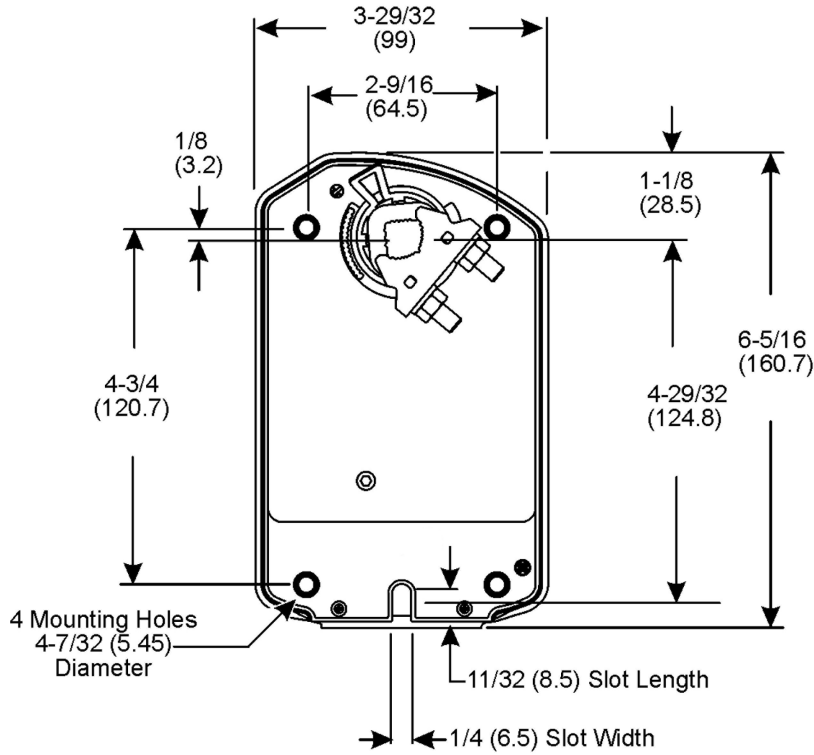
TECHNICAL INFORMATION	
COMMERCIAL DAMPER FACE AREA*	12 sq. ft. with seals 24 sq. ft. without seals
LOUVER FACE AREA	18 sq. ft. with seals 30 sq. ft. without seals
INDUSTRIAL DAMPERS	Dependent on model and system conditions (Consult Ruskin)
RUNNING TIME	Drive: 55 to 71 sec Spring: < 13 to 26 sec
POWER SUPPLY	AC 120 V 50/60
POWER CONSUMPTION	Running .05 amps Holding .03 amps
TRANSFORMER SIZE	7 VA
DIRECTION OF ROTATION	Reversible with cw/ccw mounting
POSITION INDICATION	Visual indication 0° to 95°
OPTIONAL AUXILIARY SWITCH (-S Models)	2 ea - SPDT 50 VA @ 24 V 5.8 A @ 120 V, 1/4 hp, 275 VA Pilot Duty 5.0A @ 240 V, 1/4 hp, 275 VA Pilot Duty
ELECTRICAL PROTECTION	Double insulated
ELECTRICAL CONNECTION	3 ft, 18 ga appliance cable (-S models have 2 cables) 1/2" conduit connector
OVERLOAD PROTECTION	Electronic throughout 0° to 95° rotation
ROTATION PROTECTION	Max 95° adjust. with mechanical stop (optional)
HOUSING	NEMA 2 (IP54)
HOUSING MATERIAL	Galvanized Steel
HUMIDITY	5 to 90% non-condensing

TECHNICAL INFORMATION	
AMBIENT TEMPERATURE	-4 to 140°F (-20 to 60°C); 90% RH Maximum, Non-condensing
STORAGE TEMPERATURE	-40 to 185°F (-40 to 85°C); 95% RH Maximum, Non-condensing
AGENCY LISTINGS	UL 60730-1A: 2003-08 UL 60730-2-14: 2002-02 UL 2043 C22.2 No. 24-93
NOISE LEVEL AT APPROX. 40" DISTANCE	Drive: <47 dba Holding: <20 dba Spring: <52 dba
WEIGHT	RUS-M120: 3.75 lb (1.7 kg) RUS-M120-S: 4.15 lb (1.88 kg)
SERVICING	Maintenance free
QUALITY STANDARD	ISO 9001

ACCESSORY	
ADJUSTABLE END STOP KIT	Part #M9208-603 From 35° to 95° in 5° increments
WEATHER SHIELD	Part #M9000-322 NEMA 4X, IP66 impact-grade plastic enclosure with UV inhibitors to extend life

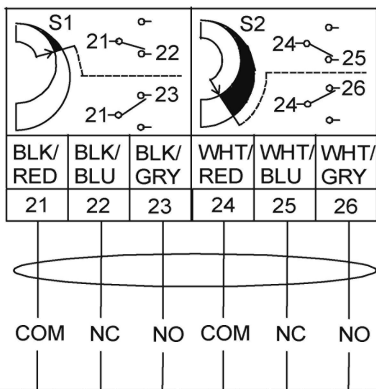
*Consult Ruskin for proper actuator sizing on TED50 series dampers

DIMENSIONS



120 V AC Wiring Diagrams

WIRING AND CONDUIT CONNECTIONS

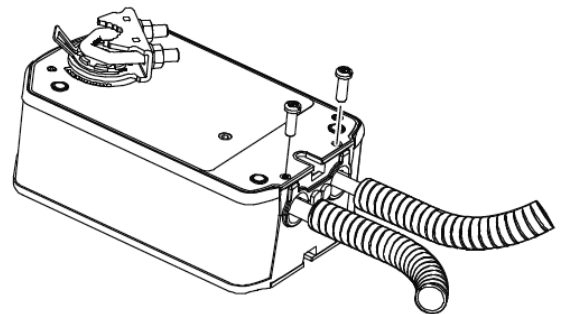


Auxiliary Switch Wiring Diagram

Auxiliary Switch

The RUS-M120(-S) models include two integral auxiliary switches with a switch adjuster accessible on either face of the actuator. The factory setting for Auxiliary Switch No. 1 is 11° closing, and the nominal setting for Auxiliary Switch No. 2 is 81° opening (relative to the 0 to 90° rotation range as printed on the product label).

Using Conduit



All RUS-M120(-S) Series Actuators accept 3/8 in. trade size flexible metal conduit.



3900 Dr. Greaves Rd.
 Kansas City, MO 64030
 (816) 761-7476
 FAX (816) 765-8955
 www.ruskin.com