

FIGURE 1

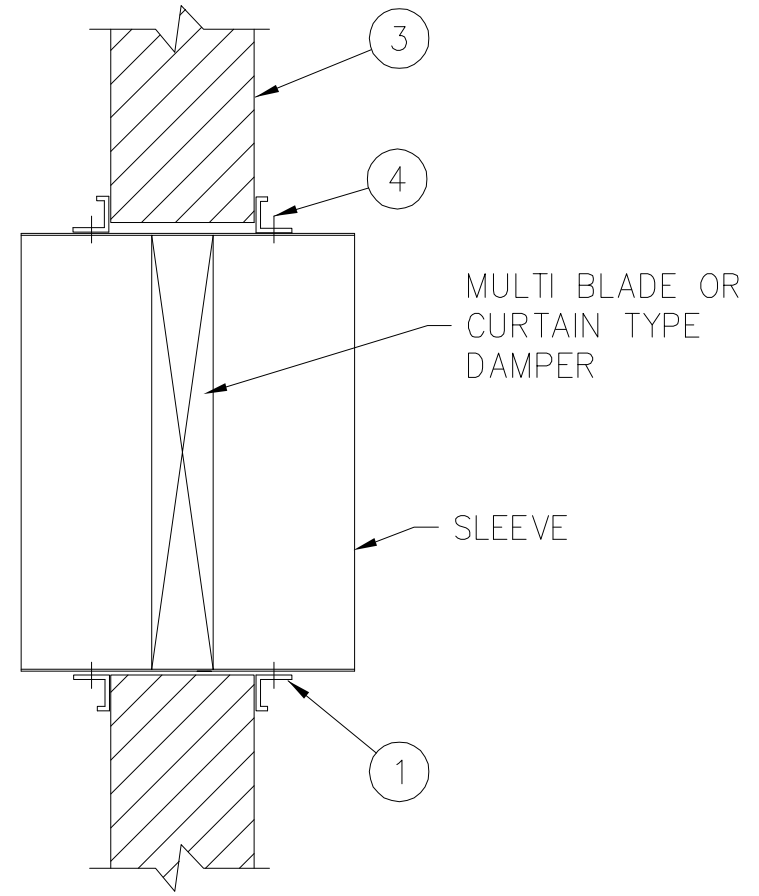


FIGURE 2

ITEM.	DESCRIPTION
1.	PICTURE FRAME MOUNTING ANGLE (2 PER DAMPER/1 PER SIDE)
2.	DAMPER/SLEEVE ASSEMBLY
3.	FIRE RATED WALL OR FLOOR
4.	FASTENER (SEE NOTE 3)