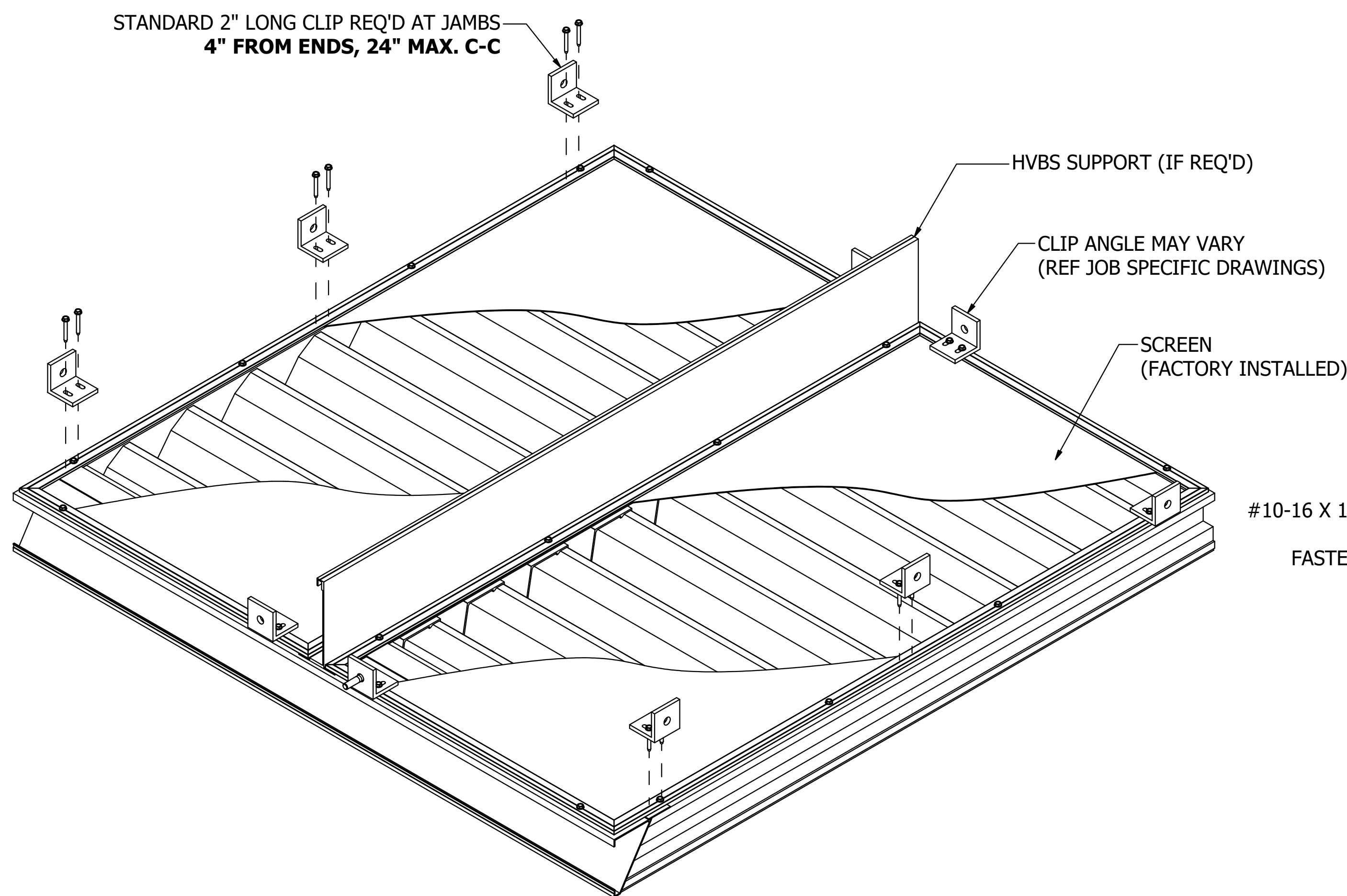


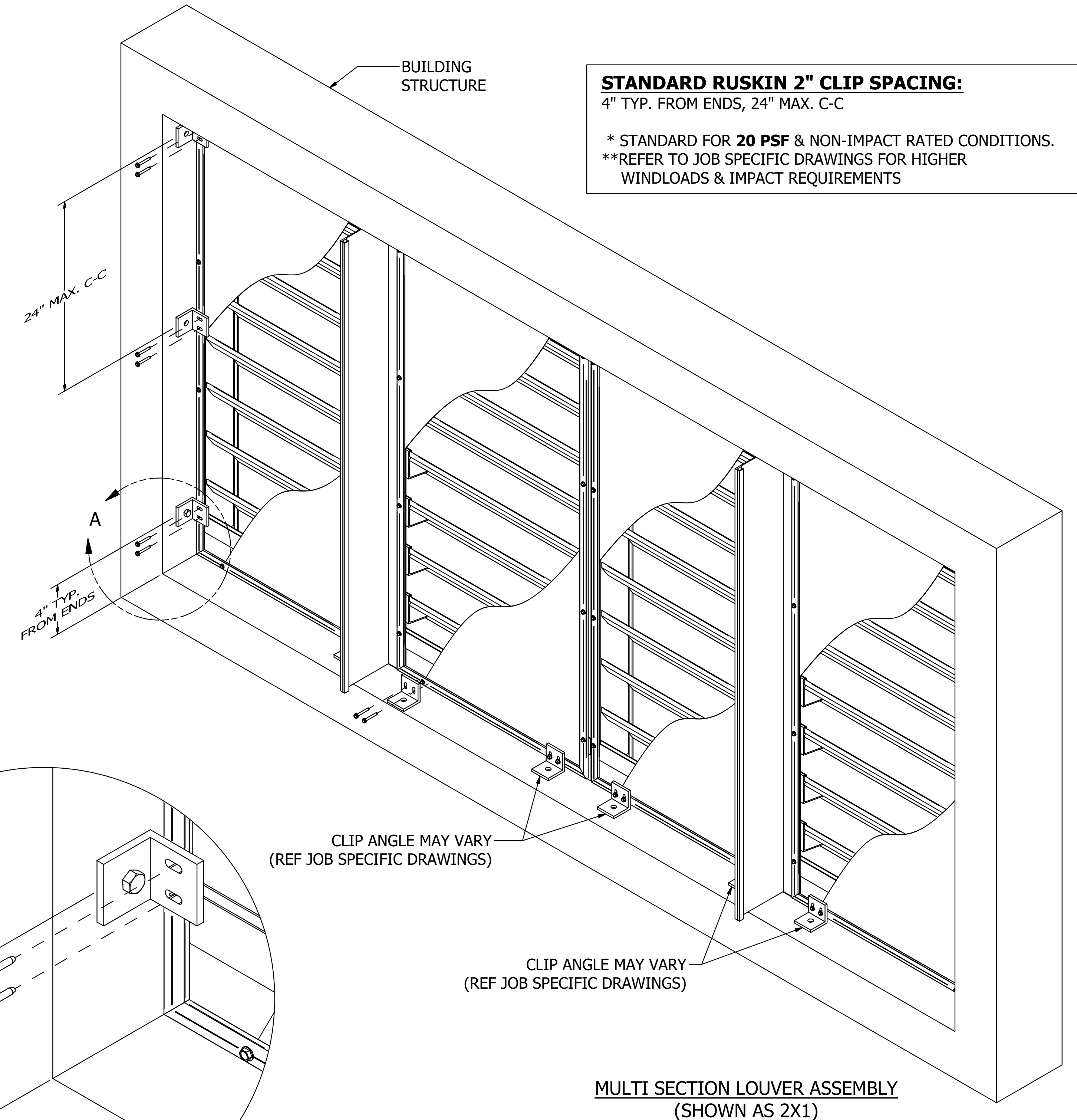
**CLIP ANGLE INSTALLATION - HORIZONTAL BLADE LOUVERS  
(WITHOUT HVBS SUPPORT)**



**CLIP ANGLE INSTALLATION - HORIZONTAL BLADE LOUVERS  
(WITH HVBS SUPPORT)**

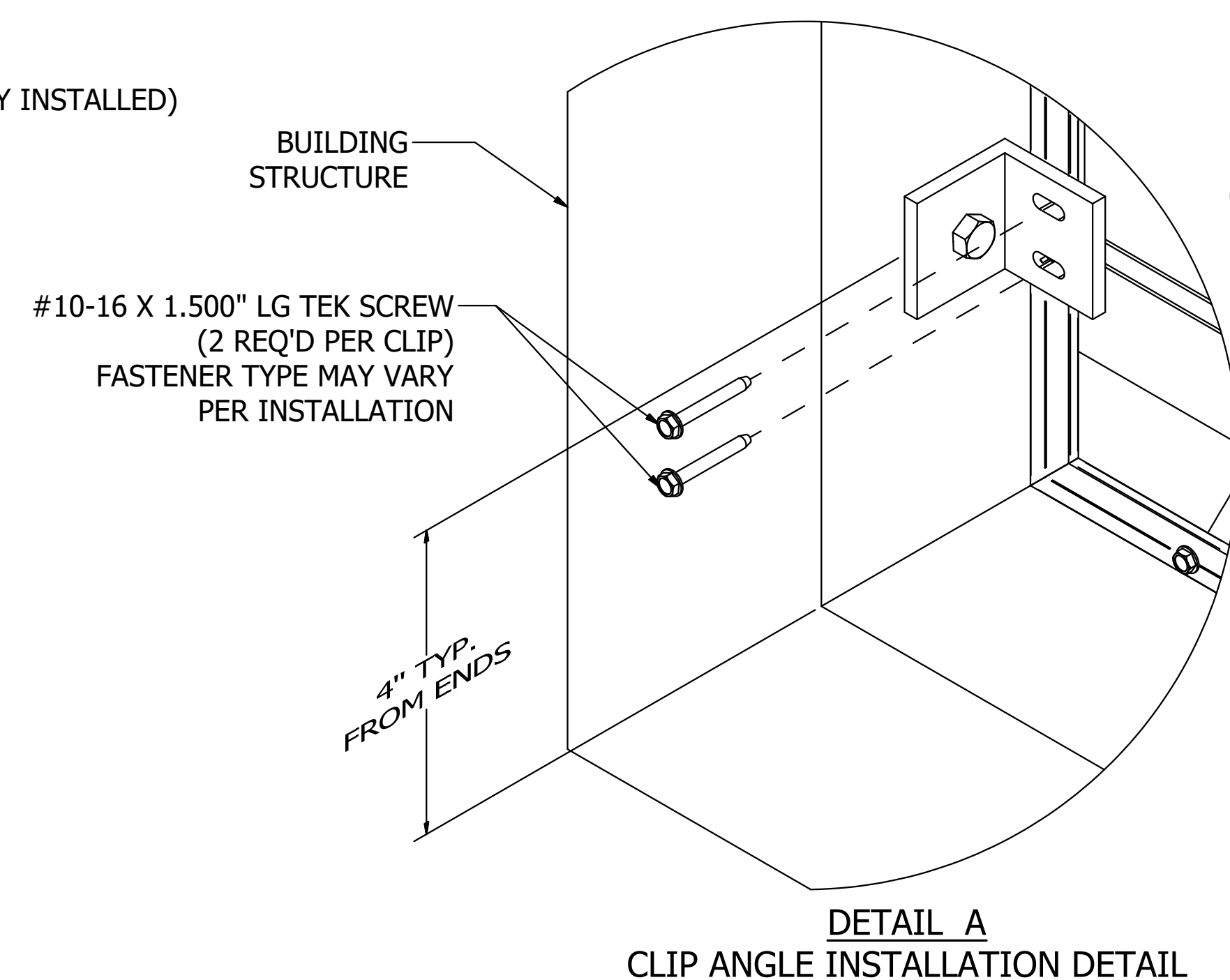
**ASSEMBLY PROCEDURE:**

1. IF YOU ORDERED INSTALLATION ANGLES, IT WILL COME IN A KIT THAT INCLUDES CLIP ANGLES, FASTENERS ETC.,
2. REFER TO SHOP DRAWINGS TO DETERMINE SET BACK OF CLIP ANGLES ON JAMB/HEAD/SILL IN RELATION TO WALL.
3. NOW MEASURE SET BACK DISTANCE OF CLIP ANGLES FROM WALL AND DRILL HOLES INTO WALL AS NEEDED.
4. ATTACH CLIP ANGLES TO WALL WITH SUBSTRATE FASTENERS. (SUBSTRATE FASTENERS NOT PROVIDED BY RUSKIN)
5. NOW PLACE LOUVER SECTION INTO OPENING.
6. SHIM AROUND LOUVER PERIMETER TO PROVIDE PROPER CLEARANCE/DEDUCT AS MENTIONED IN SHOP DRAWINGS.
7. ONCE CLEARANCE SPECIFICATIONS ARE MET, USE HOLES PROVIDED IN CLIP ANGLE TO DRILL PILOT HOLES IN JAMB.
8. NOW FASTEN JAMB TO CLIP ANGLES WITH FASTENERS AS PROVIDED BY RUSKIN (SHIP LOOSE KIT)
9. REFER SHOP DRAWINGS TO ATTACH CLIPS AT HVBS & MULLION SUPPORTS.




**STANDARD RUSKIN 2" CLIP SPACING:**  
 4" TYP. FROM ENDS, 24" MAX. C-C

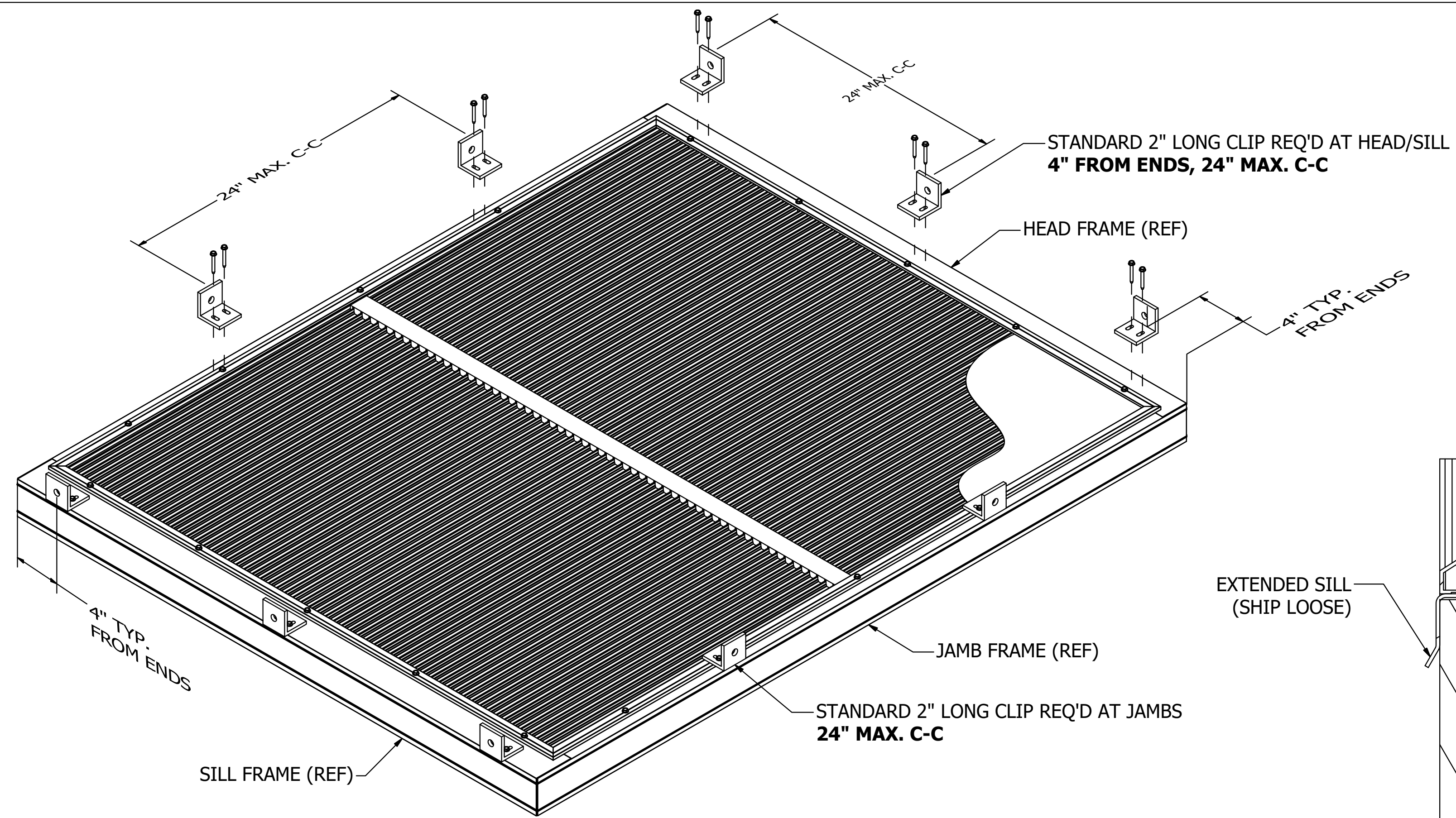
\* STANDARD FOR 20 PSF & NON-IMPACT RATED CONDITIONS.  
 \*\*REFER TO JOB SPECIFIC DRAWINGS FOR HIGHER WINDLOADS & IMPACT REQUIREMENTS



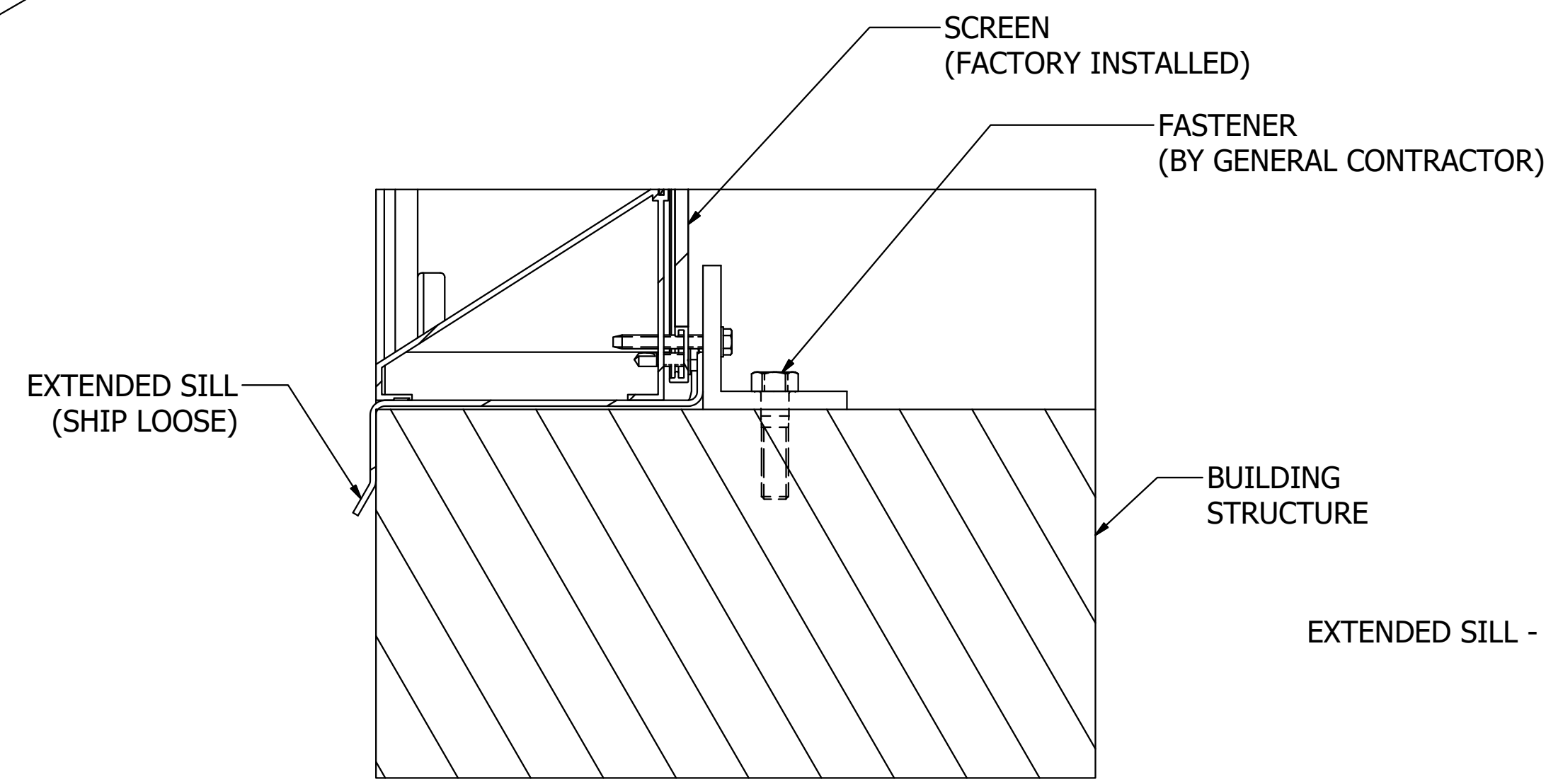
**DETAIL A  
CLIP ANGLE INSTALLATION DETAIL**

**MULTI SECTION LOUVER ASSEMBLY  
(SHOWN AS 2X1)**

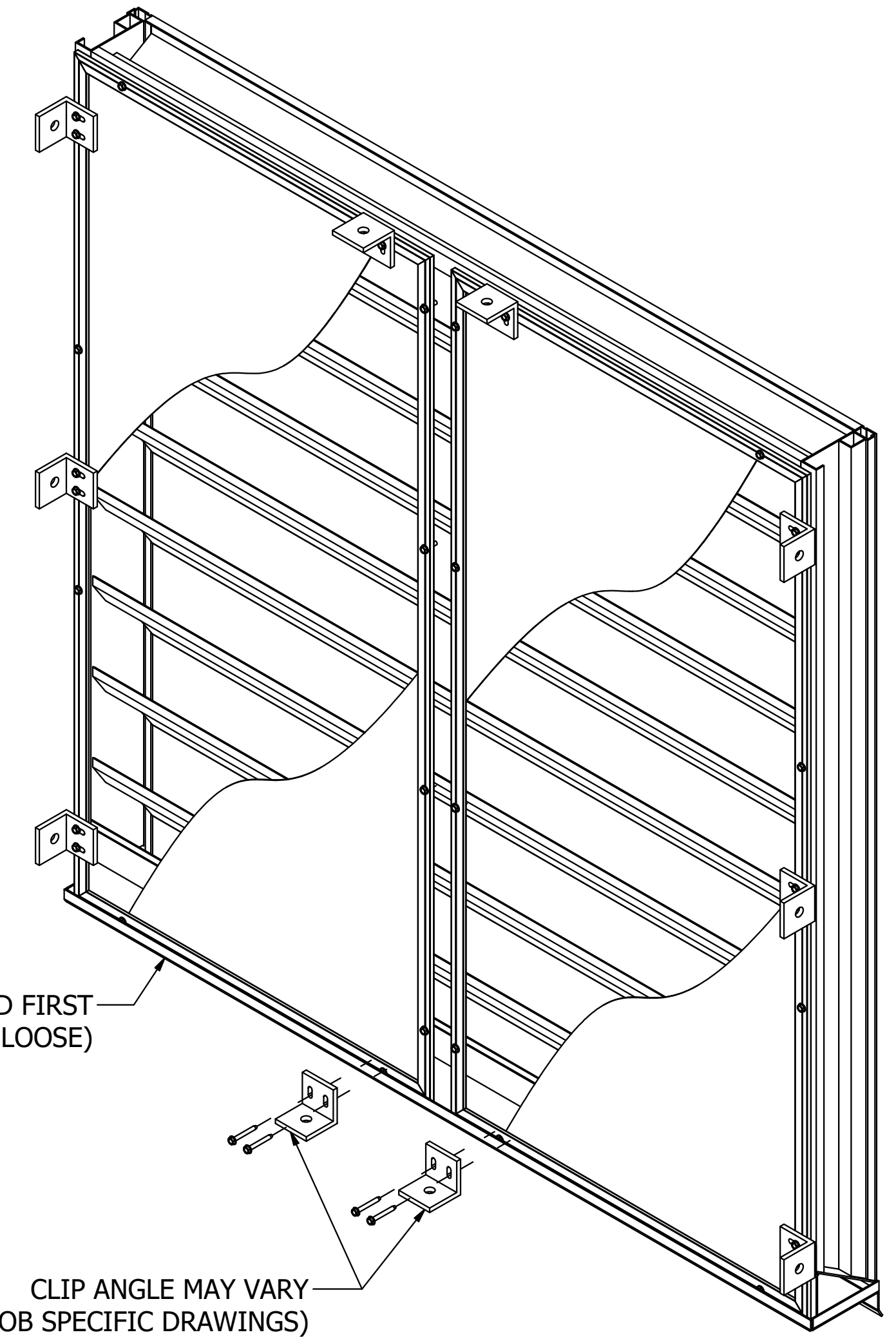
AUTHOR	NS	8/30/2019	 3900 Doctor Greaves Rd, Grandview, MO 64030 PROPRIETARY AND CONFIDENTIAL	
CHECKED	WRT	9/5/2019		
APPROVED	WRT	9/6/2019		
MATERIAL			PRODUCT	
			TITLE	
			STANDARD CLIP ANGLE INSTALLATION GUIDE	
SIZE		D	DWG NO	REV
			60-022526-00D	A
ECN	SCALE		NONE	INVENTOR
				SHEET 1 OF 2



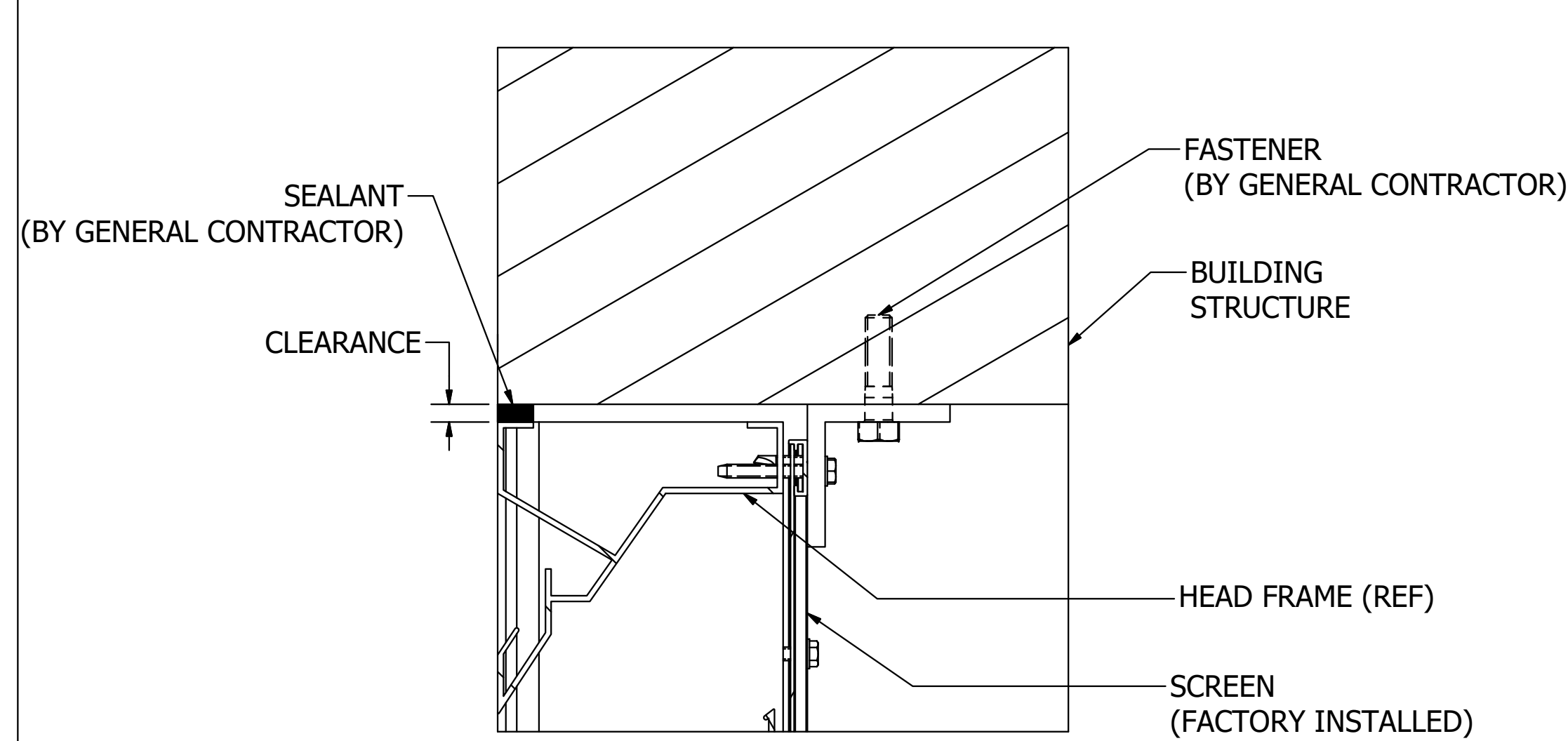
**CLIP ANGLE INSTALLATION - VERTICAL BLADE LOUVERS**



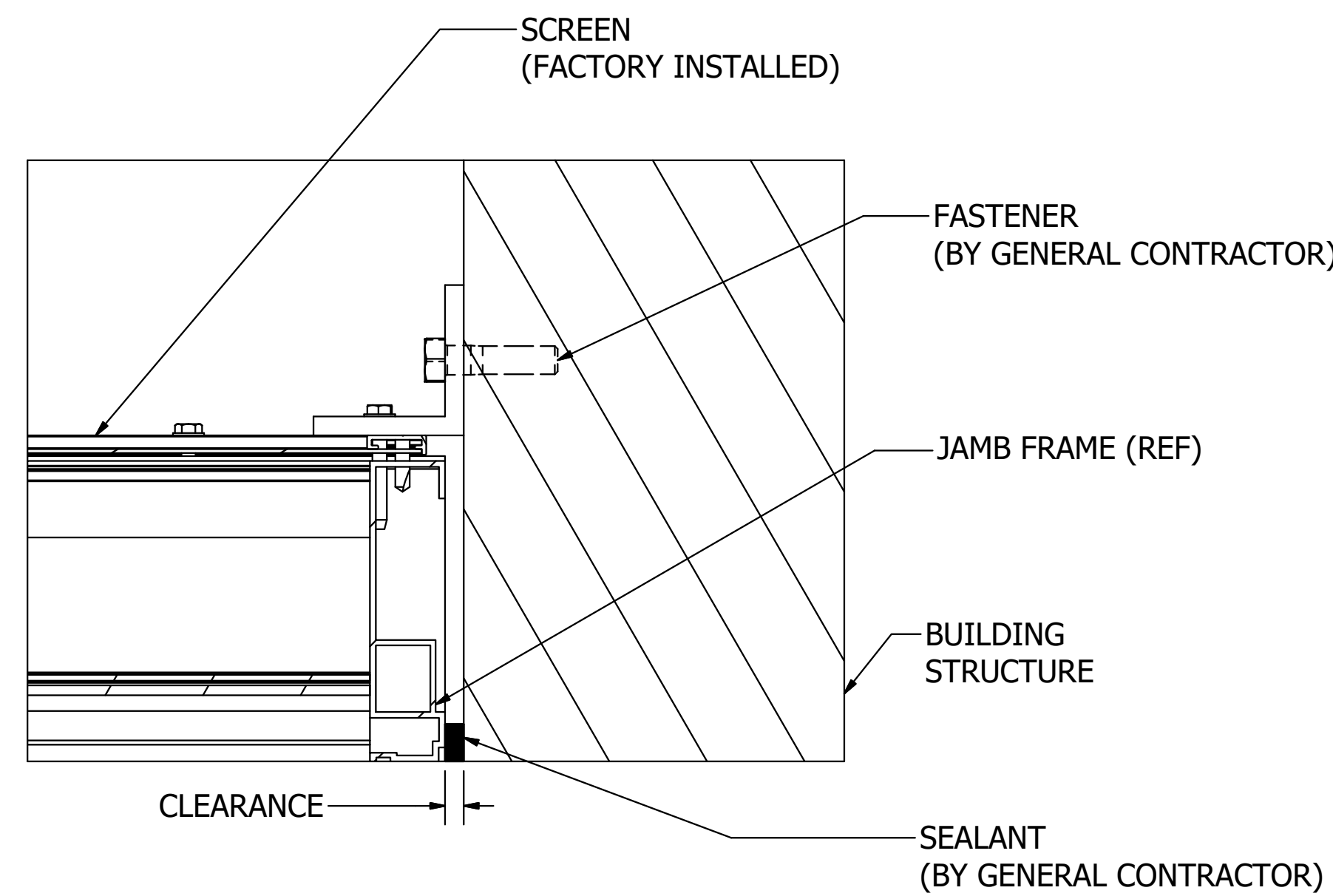
**CLIP ANGLE INSTALLATION W EXTENDED SILL**



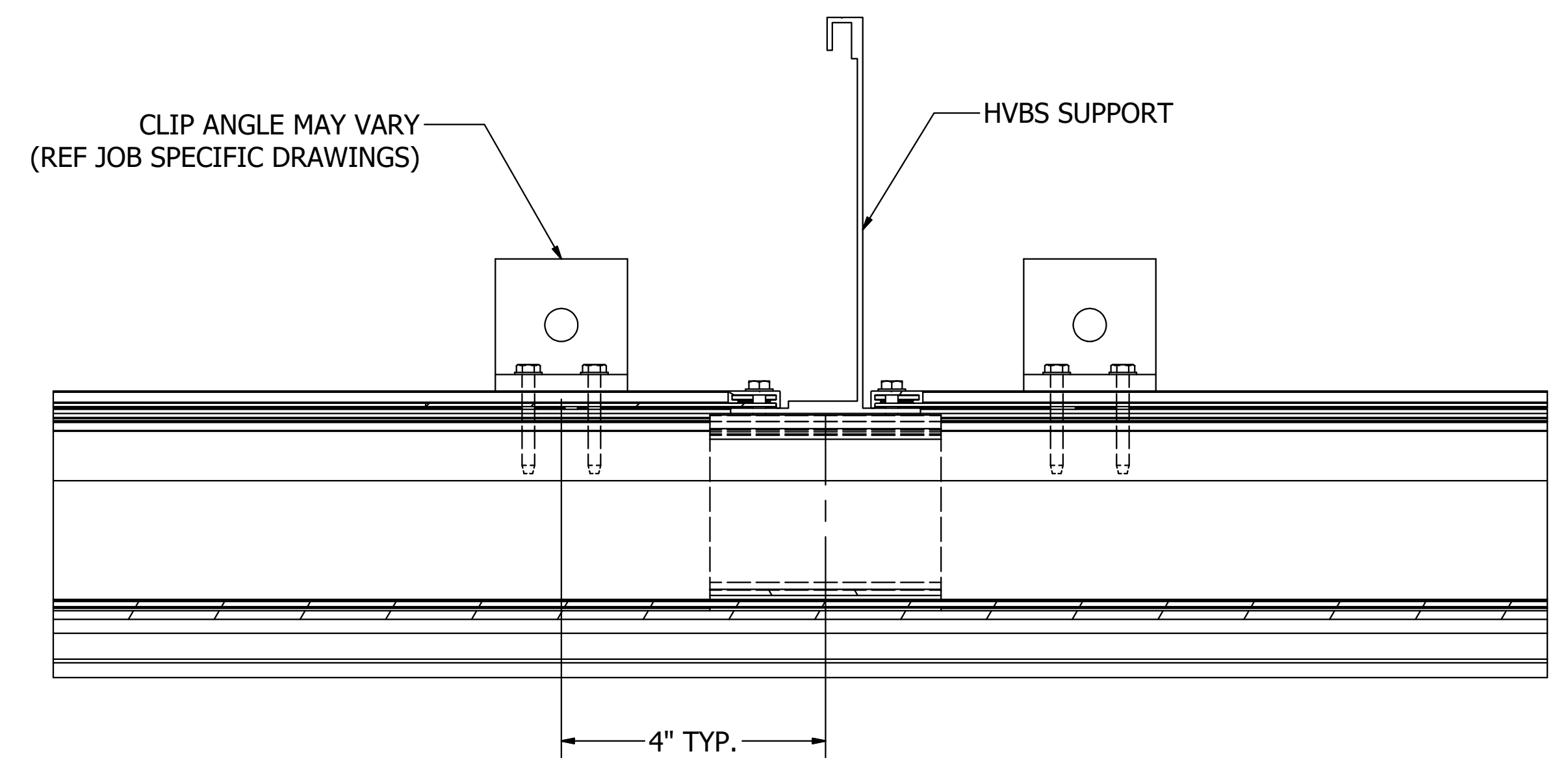
**CLIP ANGLE INSTALLATION W EXTENDED SILL (SUPPORTS NOT SHOWN FOR CLARITY)**



**CLIP ANGLE INSTALLATION @ HEAD/SILL**



**CLIP ANGLE INSTALLATION @ JAMBS**



**CLIP ANGLE INSTALLATION @ SUPPORTS**

AUTHOR	NS	8/30/2019	3900 Doctor Greaves Rd, Grandview, MO 64030 PROPRIETARY AND CONFIDENTIAL
CHECKED	WRT	9/5/2019	
APPROVED	WRT	9/6/2019	
MATERIAL	PRODUCT		
TITLE			
STANDARD CLIP ANGLE INSTALLATION GUIDE			
SIZE	D	DWG NO	60-022526-00D
REV	A		
ECN	SCALE	NONE	INVENTOR SHEET 2 OF 2