

RUS-S120(-S) Electric 120 Volt Control Damper & Louver Actuator DIRECT COUPLED SPRING RETURN

DESCRIPTION

Ruskin model RUS-S120(-S) electric On/Off spring return actuator designed for factory mounting on dampers and operable louvers. Actuators can be mounted directly to a damper or louver shaft from 1/4 to 1/2 inch (6 to 12 mm) diameter with a universal clamp. An optional line voltage auxiliary switch indicates an end stop position or performs switching functions within the field selected 0° to 95° rotation range.

FEATURES

- Designed specifically to operate damper and operable louver applications up to the square footage face area listed below.
- Reversible mounting design simplifies installation and enables the actuator to be spring return in either direction.
- Electronic stall detection through entire rotation range extends life by deactivating the motor when an overload condition is detected.
- 5 Year factory warranty



RUS-S120(-S) Electric Spring-Return Actuator

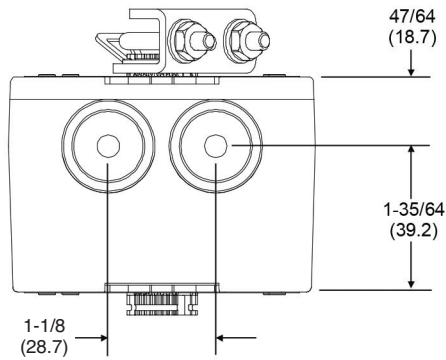
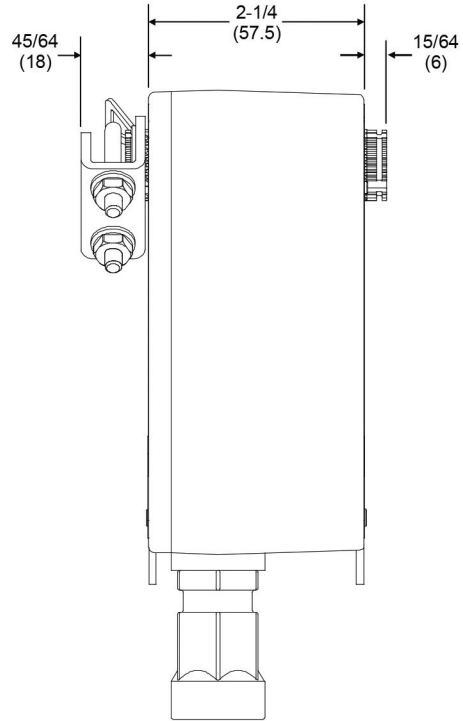
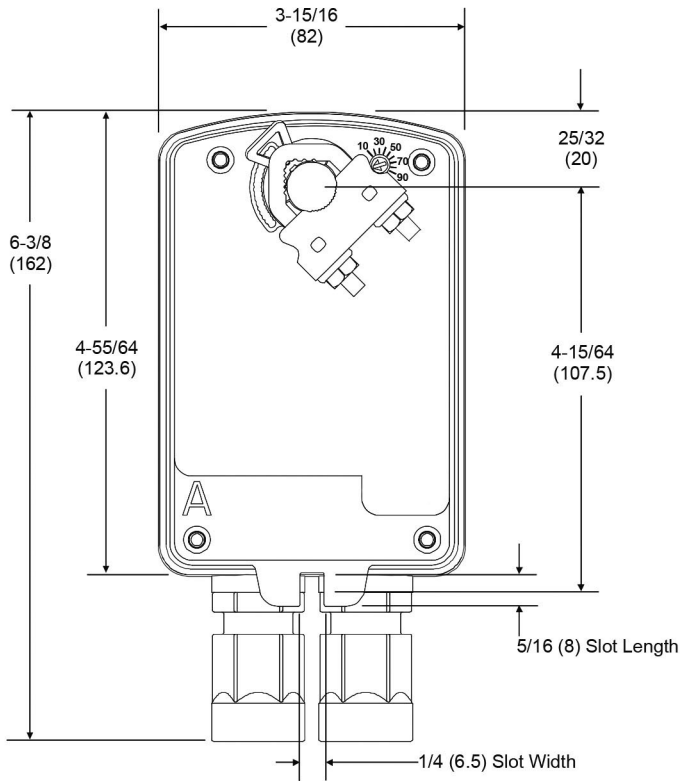
TECHNICAL INFORMATION	
COMMERCIAL DAMPER FACE AREA*	6 sq. ft. with seals 12 sq. ft. without seals
LOUVER FACE AREA	10 sq. ft. with seals 18 sq. ft. without seals
RUNNING TIME	Drive: 53 to 71 sec Spring: < 23 sec
POWER SUPPLY	AC 100 to 240 V (AC85V to 264V) at 50/60 Hz
POWER CONSUMPTION	Running .06 amps Holding .02 amps
TRANSFORMER SIZE	6 VA
DIRECTION OF ROTATION	Reversible with cw/ccw mounting
POSITION INDICATION	Visual indication 0° to 95°
OPTIONAL AUXILIARY SWITCH (-S Models)	1 ea - SPDT 50 VA @ 24 V 5.8 A @ 120 V, 1/4 hp, 275 VA Pilot Duty 5.0A @ 240 V, 1/4 hp, 275 VA Pilot Duty
ELECTRICAL PROTECTION	Double insulated
ELECTRICAL CONNECTION	3 ft, 18 ga appliance cable (-S models have 2 cables) 1/2" conduit connector
OVERLOAD PROTECTION	Electronic throughout 0° to 95° rotation
ROTATION PROTECTION	Max 95° adjust. with mechanical stop (optional)
HOUSING	NEMA 2 (IP54)
HOUSING MATERIAL	Lexan 945
HUMIDITY	5 to 90% non-condensing

*Consult Ruskin for proper actuator sizing on TED50 series dampers

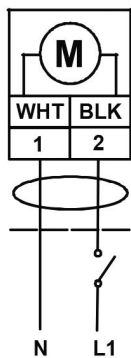
TECHNICAL INFORMATION	
AMBIENT TEMPERATURE	-22° to 140°F (-30° to 60°C)
STORAGE TEMPERATURE	-40° to 185°F (-40° to 85°C)
AGENCY LISTINGS	UL 60730-1A: 2003-08 UL 60730-2-14: 2002-02 UL 2043 C22.2 No. 24-93
NOISE LEVEL AT APPROX. 40" DISTANCE	Drive: <36 dba Holding: <20 dba Spring: <51 dba
WEIGHT	RUS-S120: 2.0 lb (0.9 kg) RUS-S120-S: 2.4 lb (1.1 kg)
SERVICING	Maintenance free
QUALITY STANDARD	ISO 9001

ACCESSORY	
ADJUSTABLE END STOP KIT	Part #M9203-603 From 35° to 95° in 5° increments
WEATHER SHIELD	Part #M9000-322 NEMA4X, IP66 impact-grade plastic enclosure with UV inhibitors to extend life

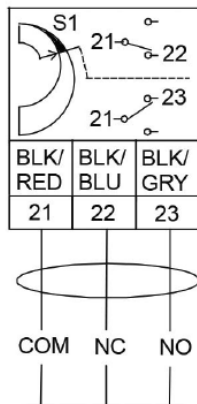
DIMENSIONS



WIRING AND CONDUIT CONNECTIONS

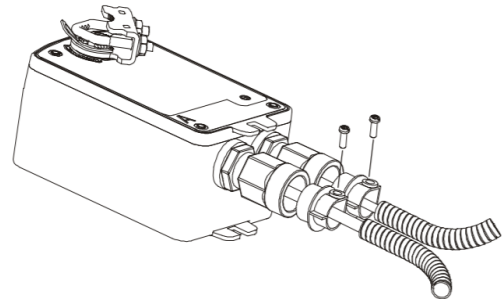


Control Wiring Diagrams



Auxiliary Switch Wiring Diagram

USING CONDUIT



All RUS-Sxx(-S) Series Actuators accept 1/2 in. (13mm) threaded electrician's fittings.



3900 Dr. Greaves Rd.
 Kansas City, MO 64030
 (816) 761-7476
 FAX (816) 765-8955
 www.ruskin.com