

CFD7T-SR

Ceiling Fire Dampers

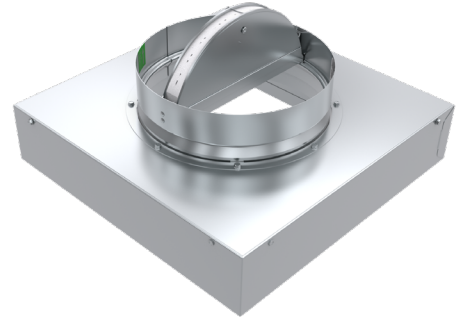
UL Classified Radiation Dampers for Wood Truss Construction



APPLICATION

The CFD7T-SR is a UL Classified Ceiling Fire Damper listed for installation in wood truss floor/ceiling and roof/ceiling designs L528, L546, L558, L574, L585, L586, L592, P533, P545, P548, P572, P580 and H502. These designs are also similar to the fire resistance rated ceiling construction described in the International Building Code. Unlike other ceiling dampers designed and tested for wood truss applications, the CFD7T-SR is supplied as a Ruskin CFDR7T factory mounted on top of an R6 insulated steel plenum. The CFD7T-SR is UL approved for installation with duct connection below the membrane penetration.

CFD7T-SR is designed to accept a grille with an OBD up to a maximum of 3" in depth without volume control and 2 1/2" grilles with volume control.



STANDARD CONSTRUCTION

Frame	Galvanized steel (in gauges required by UL listing R8039).
Fusible Link	165°F (74°C) is standard. 212°F (100°C) is available at no additional cost.
Plenum Box	26 gauge galvanized steel.
Insulation	R6 Duct Liner.



PLENUM BOX SIZE

Minimum Size	5" w x 5" h (127 x 127).
Maximum Size	12" w x 12" h (305 x 305).

DAMPER SIZE

Minimum Size	5" Dia. (127).
Maximum Size	12" Dia. (305).

UL CLASSIFIED ULC LISTED

UL555C Listing R8039

Model CFD7T-SR meets the requirements for fire/radiation dampers established by:

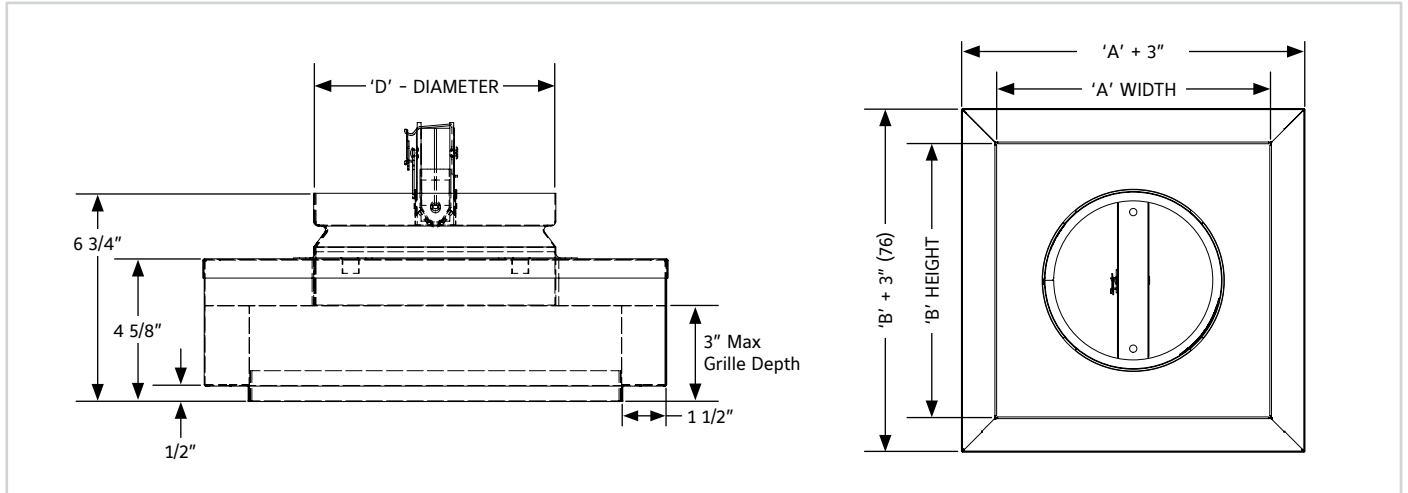
- ▶ National Fire Protection Association NFPA Standards 80, 90A, 92A, 92B, and 101.
- ▶ ICC International Building Codes
- ▶ CSFM California State Fire Marshal Listing (3225-0245:0123)

NOTE:

- Dimensions shown in parentheses () indicate millimeters.

CFD7T-SR WITH INSULATED STEEL PLENUM BOX

The CFD7T-SR damper can be supplied with a factory installed Steel or R6 duct board plenum box or 90 deg., end or top boot. These boots/boxes also can be field supplied and installed onto the standard CFD7T without voiding the UL listing.



SUGGESTED SPECIFICATION

Furnish and install, at locations shown on the plans, ceiling fire dampers tested and listed for wood truss construction including UL ceiling designs L528, L546, L558, L574, L585, L586, L592, P533, P545, P548, P580 and H502. Ceiling fire dampers shall be produced in an ISO 9001 certified factory. All installations shall be in accordance with manufacturer's published installation instructions and do not require additional field installed insulated boots, boxes, or plenums to meet the UL listing.

Ceiling penetrations should be located between adjacent truss and RC or Furring channels. The entire system shall be UL classified and ULC Listed for use in wood truss applications. Systems proposed for installation must be equivalent in all respect to Ruskin Model CFD7T-SR.

i LINKS TO IMPORTANT DOCUMENTS

Document Title

Installation Instructions



3900 Doctor Greaves Road
Grandview, MO 64030
Website: www.ruskin.com
Phone: (816) 761-7476