

RUS-GEN

Series Electric Actuator for Genset Dampers
Direct Coupled Fast Acting 8-second Spring Return



DESCRIPTION

Ruskin RUS-GEN series electric On/Off spring return actuators are designed for Ruskin GenSet damper models CD60GS, CD50GS and TED50GS. The 8-second spring return operation allows damper to open quickly to provide maximum combustion air and pressure relief for emergency generator start up. The actuator is factory mounted and equipped with the RUSN4X-L NEMA4X weather enclosure.

TECHNICAL INFORMATION

| | |
|--|--|
| Power Supply | RUS-L120-GEN and RUS-L120-GEN-S AC 120 V (AC 102 V to 132 V) at 50/60 Hz. RUS-L24-GEN and RUS-L24-GEN-S AC 24 V 50/60 DC 24 V. |
| Running Time | Drive: 24 to 57 sec Spring open: 8 sec |
| Power Consumption | RUS-L120-GEN and RUS-L120-GEN-S Running .25 amps Holding .13 amps RUS-L24-GEN and RUS-L24-GEN-S AC: Running 26 VA, Holding 9.3 VA DC: Running 17.6 W, Holding 2.8 W |
| Transformer Size | 25 VA |
| Direction Of Rotation | Reversible with cw/ccw mounting |
| Position Indication | Visual indication 0° to 95° |
| Optional Auxiliary Switch (-S Models) | 2 ea - SPDT 50 VA@ 24 V 5.8 A @ 120 V, 1/4 hp, 275 VA Pilot Duty 5.0A@ 240 V, 1/4 hp, 275 VA Pilot Duty |
| Electrical Protection | Double insulated |
| Overload Protection | Electronic throughout 0° to 95° rotation |
| Rotation Protection | Max 95° adjust. with mechanical stop (optional) |
| Actuator Housing | NEMA 2 (IP54) Aluminum |
| Humidity | 5 to 90% non-condensing |
| Ambient Temperature | -40° to 131°F (-40° to 55°C) |
| Storage Temperature | -85° to 185°F (-65° to 85°C) |
| Agency Listings | UL 60730-1A: 2003-08 UL 60730-2-14: 2002-02 UL 2043 C22.2 No. 24-93 |
| Noise Level At Approx. 40" Distance | Drive: <66 dba Holding: <18 dba Spring: <66 dba |
| Weight | RUS-L120-GEN: 7.6 lb (3.5 kg) RUS-L120-GEN-S: 8.0 lb (3.6 kg) RUS-L24-GEN: 6.4 lb (3.5 kg) RUS-L24-GEN-S: 6.8 lb (3.6 kg) |
| Servicing | Maintenance free |
| Quality Standard | ISO 9001 |



RUS-L120-GEN with RUSN4X-L weather shield enclosure shown mounted on damper



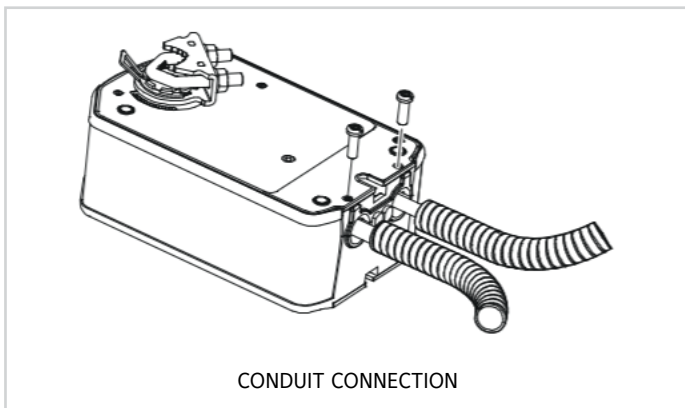
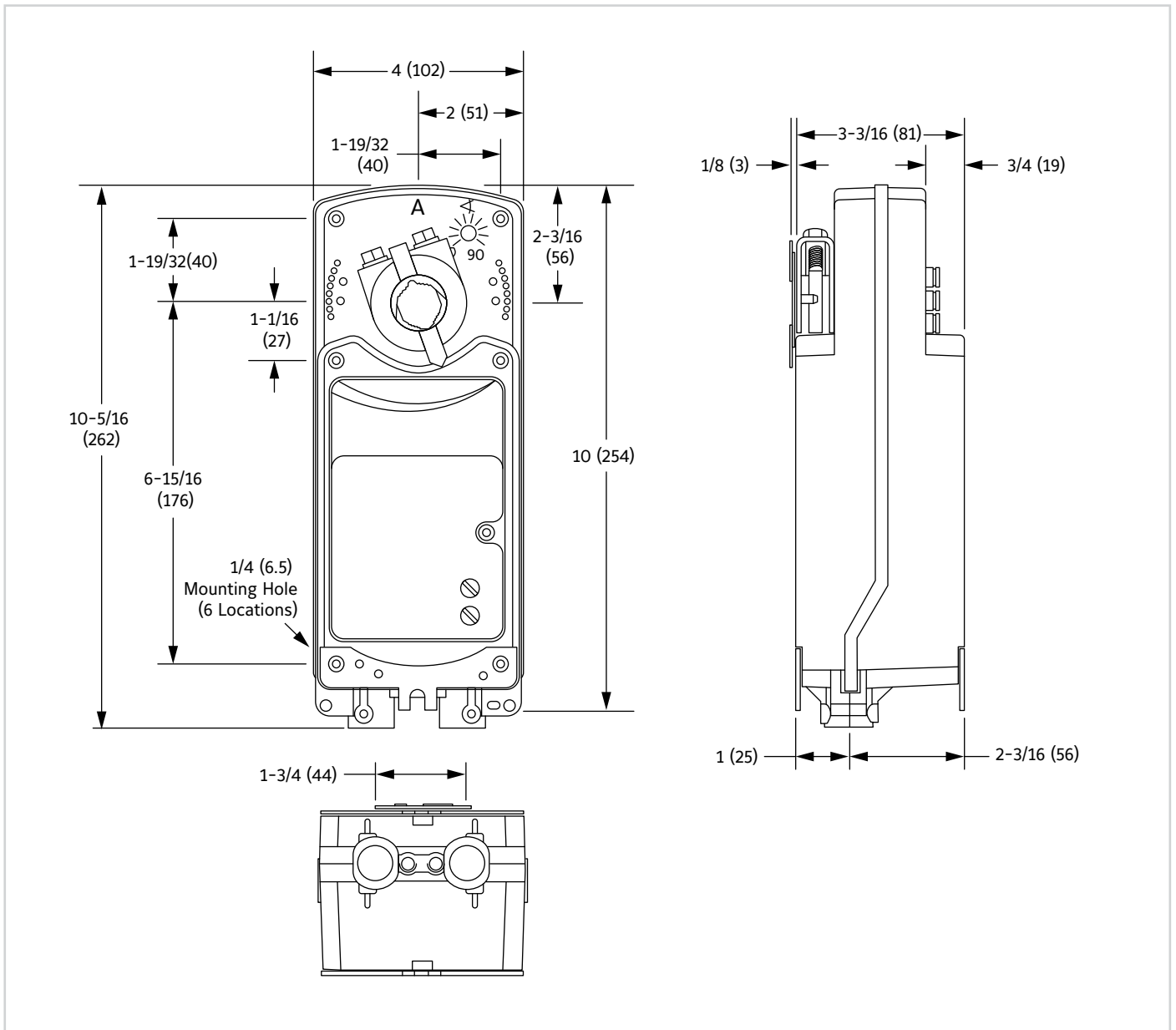
ACCESSORY

| | |
|-----------------------|--|
| Weather Shield | RUSN4X-L (supplied standard) NEMA 4X impact-grade plastic enclosure with UV inhibitors to extend life |
|-----------------------|--|

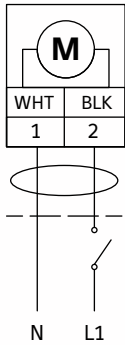
- ▶ Electronic stall detection through entire rotation range extends life by deactivating the motor when an overload condition is detected.

- ▶ 5 Year factory warranty

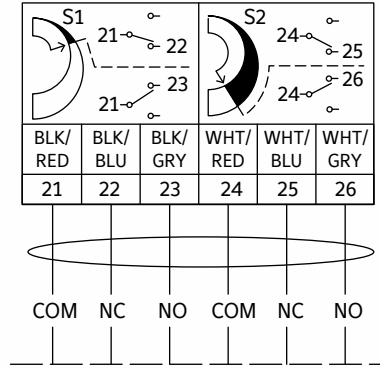
DIMENSIONS



Integral connectors for 3/8 in. (10mm) flexible metal conduit



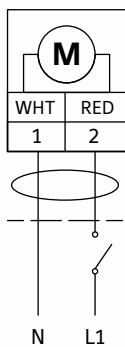
120 V AC Wiring Diagrams



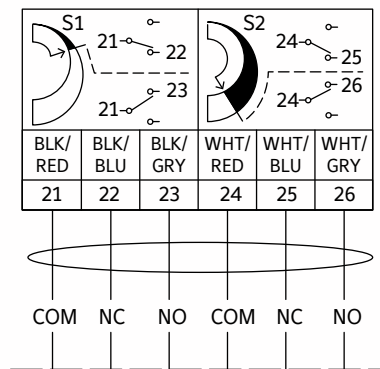
Auxiliary Switch Wiring Diagram

Auxiliary Switches

The RUS models include two integral auxiliary switches with a switch adjuster accessible on either face of the actuator. The nominal factory setting for Auxiliary Switch No. 1 is 11° closing, and the nominal factory setting for Auxiliary Switch No. 2 is 81° opening (relative to a 0 to 90° rotation range).



24 Volt AC/DC Wiring Diagrams



Auxiliary Switch Wiring Diagram

Auxiliary Switches

The RUS models include two integral auxiliary switches with a switch adjuster accessible on either face of the actuator. The nominal factory setting for Auxiliary Switch No. 1 is 11° closing, and the nominal factory setting for Auxiliary Switch No. 2 is 81° opening (relative to a 0 to 90° rotation range).

LINKS TO IMPORTANT DOCUMENTS

Document Title

Limited Warranty Document



3900 Doctor Greaves Road
Grandview, MO 64030
Website: www.ruskin.com
Phone: (816) 761-7476