

6" MAX. OPENING CLEARANCE

Installation Instruction Supplement

(D)IBD, (D)FD and FSD

UL555 and UL555S 1 1/2 Hour Rated



APPLICATION

When the opening for 1 1/2 hour fire damper or combination fire smoke damper exceed the standard maximum opening clearance listed on the basic installation instructions. The opening may be 6" larger in width and 6" in height as long as the damper is centered into the opening.

DAMPER MODELS

Dynamic Curtain Fire Dampers	DIBD2, DIBD2G, DIBD2SS, DIBD2SSG, DIBD20, DIBD20G, DIBD40, DIBD60, DIBDT and DIBDTG
Static Curtain Fire Dampers	IBD2, IBD2G, IBD2SS, IBD2SSG, IBD20, IBD20G, IBD40, IBD60, IBDT and IBDTG
Dynamic Multi-Blade Fire Dampers	DFD-LP, DFD35, DFD35G, DFD35SS, DFD60, DFD60G
Static Multi-Blade Fire Dampers	FD35, FD35G, FD35SS, FD60 and FD60G
Combination Fire Smoke Damper	FSD60LP, FSD60, FSD60G, FSD60M, FSD60V, FSD60-XP, FSD36LP, FSD36, FSD36G, FSD36SS, FSD60LP-2, FSD60-2, FSD37LP, FSD37, FSD37SS, FSD35, FSD35G and FSD35SS



SEE COMPLETE MARKING ON PRODUCT

UL CLASSIFIED

UL555 Listing R5531, UL555S Listing R5531

OPENING CLEARANCE

The opening clearance is the gap between the wall/floor framing to the damper.

The opening can be 6" greater in width and 6" greater in height. The damper is to be centered into the opening with no gaps greater than 3". The minimum opening to be a minimum of 1/4" larger in width and height.

DAMPER ORIENTATION

Damper is designed to operate with blades running horizontally and must be installed with center line of damper frame within the wall or floor when they are in the closed position. Use "Mount with Arrow Up" label as a guide for proper damper orientation. Horizontal mount dampers may be installed with actuator above or below the floor.

MOUNTING ANGLE

The mounting angles are to be minimum of 1 1/2" x 1 1/2" x 16 gauge steel and overlap the framing by 1" on all sides.

Mounting Angle Fasteners

- ▶ Sleeve: #10 bolts or screws, 3/16" (3) steel rivets or 1/2" (13) long welds.
- ▶ Masonry Wall or Floor: #10 self-tapping concrete screws.
- ▶ Wood/Steel Stud Wall: #10 screws.

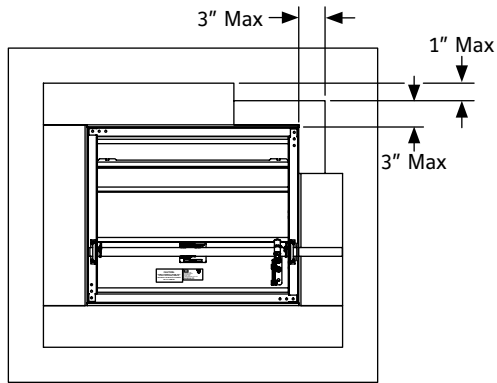
Mounting Angle Fastener Spacing

Two angle installations the sleeve fasteners shall be spaced at 8" (203) o.c. with a minimum of 2 fasteners on each side, top and bottom.

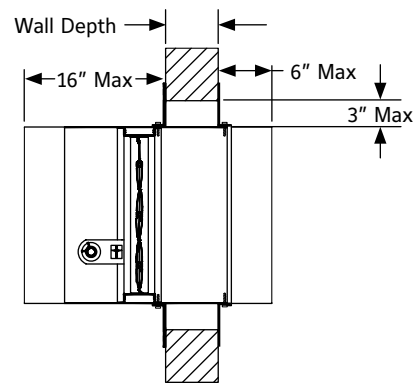
NOTE:

- Dimensions shown in parentheses () indicate millimeters.

VERTICAL INSTALLATION

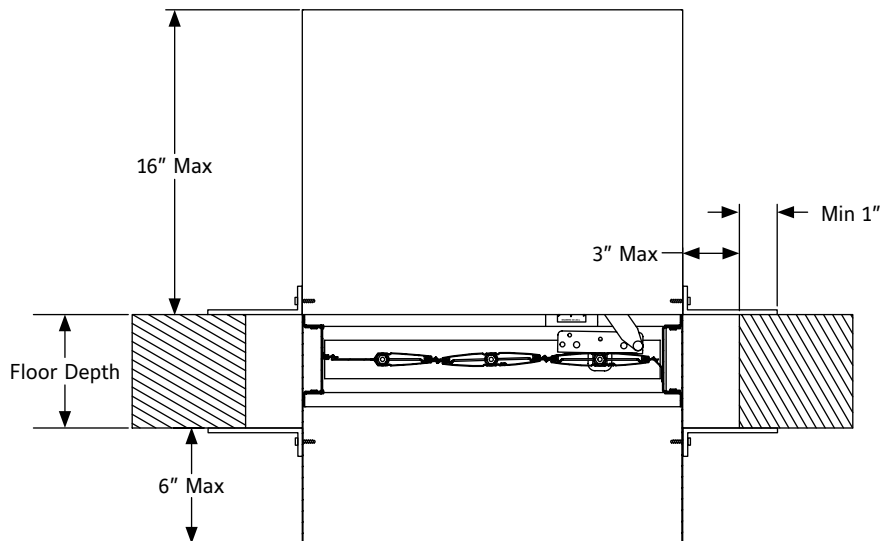


FACE VIEW



SIDE VIEW

HORIZONTAL INSTALLATION



i LINKS TO IMPORTANT DOCUMENTS

Document Title

Spec Sheet



3900 Doctor Greaves Road
Grandview, MO 64030
Website: www.ruskin.com
Phone: (816) 761-7476