

CFD4W

Ceiling Fire Damper

Warnock Hersey Classified Radiation Dampers

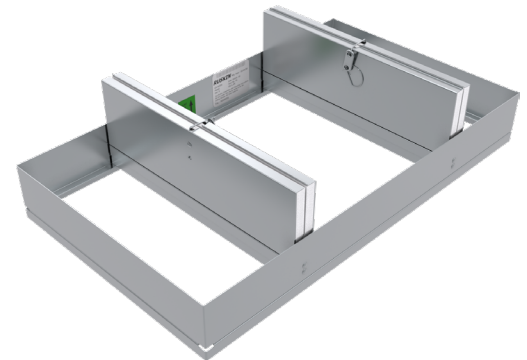


APPLICATION

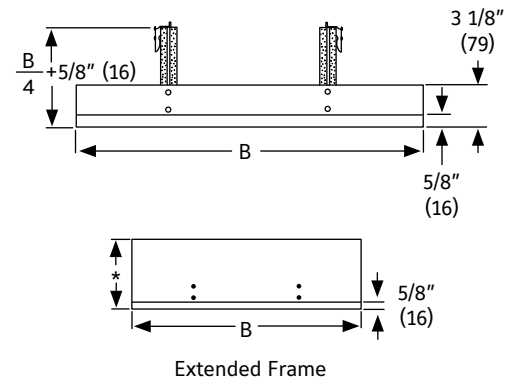
The CFD4W is a Warnock Hersey classified ceiling fire (radiation) damper. It provides protection to penetrations of up to 576 sq. in. (maximum opening size) through fire rated ceilings with fire resistance ratings of 3 hours or less.

STANDARD CONSTRUCTION

Frame	24 gauge (.6) galvanized steel. Frame depths are as shown in following chart.		
	Frame Style	B Dimension	Frame Depth
	Standard	All sizes	3 1/8" (79)
	Extended	14" to 20" (356 to 508)	6 5/16" (160)
		21" to 24" (533 to 610)	8 1/8" (206)
Blade	24 gauge (.6) galvanized steel, with UL Classified insulation as required.		
Fusible Link	165°F (74°C) is standard. 212°F (100°C) and 285°F (141°C) is available at no additional cost.		
Minimum Size (Inside Dimension)	14"w x 24"h (356 x 607) or 24"w x 14"h (607 x 356). For smaller sizes see CFD2W and 3W.		
Maximum UL Classified Size (Inside Dimension)	576 sq. in. (3716). Maximum A and B dimension 24" (610).		



FRAME CONSTRUCTION



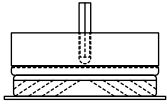
OPTIONS

- ▶ VA Volume Adjust to balance airflow.

NOTE: Dimensions shown in parentheses () indicate millimeters.

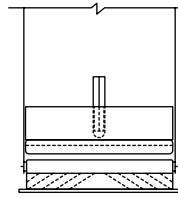
ORDERING INFORMATION

HOW TO ORDER



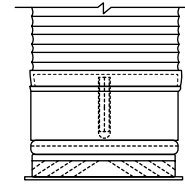
Ductless Installation

Order "actual size" with **standard** frame.
Damper installs over diffuser neck.



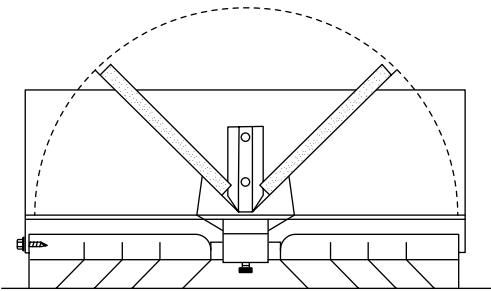
Steel Duct Installation

Order "deduct 1/4" (6)" with **standard** frame. Damper installs inside duct.



Flex Duct Installation

Order "actual size" with **extended** frame.
Damper installs over diffuser neck; flex duct installs over damper.



UL Listed Fusible Volume Adjustment Option

The standard, fusible link can be replaced with a simple mechanism that permits adjustment of damper blades to balance airflow. A standard 3/16" (5) hex (Allen) wrench is used for adjustment. In fire conditions, the damper closes regardless of volume setting. This feature must be added to the damper at fabrication. The CFD4W requires 2 volume adjustments. 165°F or 212°F (74°C or 100°C) (specify temperature) fusible volume adjustment options are available. **Caution: Volume Adjust hangs below a rectangular damper 1 1/8" (29).**

LINKS TO IMPORTANT DOCUMENTS

Document Title

Installation instructions



3900 Doctor Greaves Road
Grandview, MO 64030
Website: www.ruskin.com
Phone: (816) 761-7476